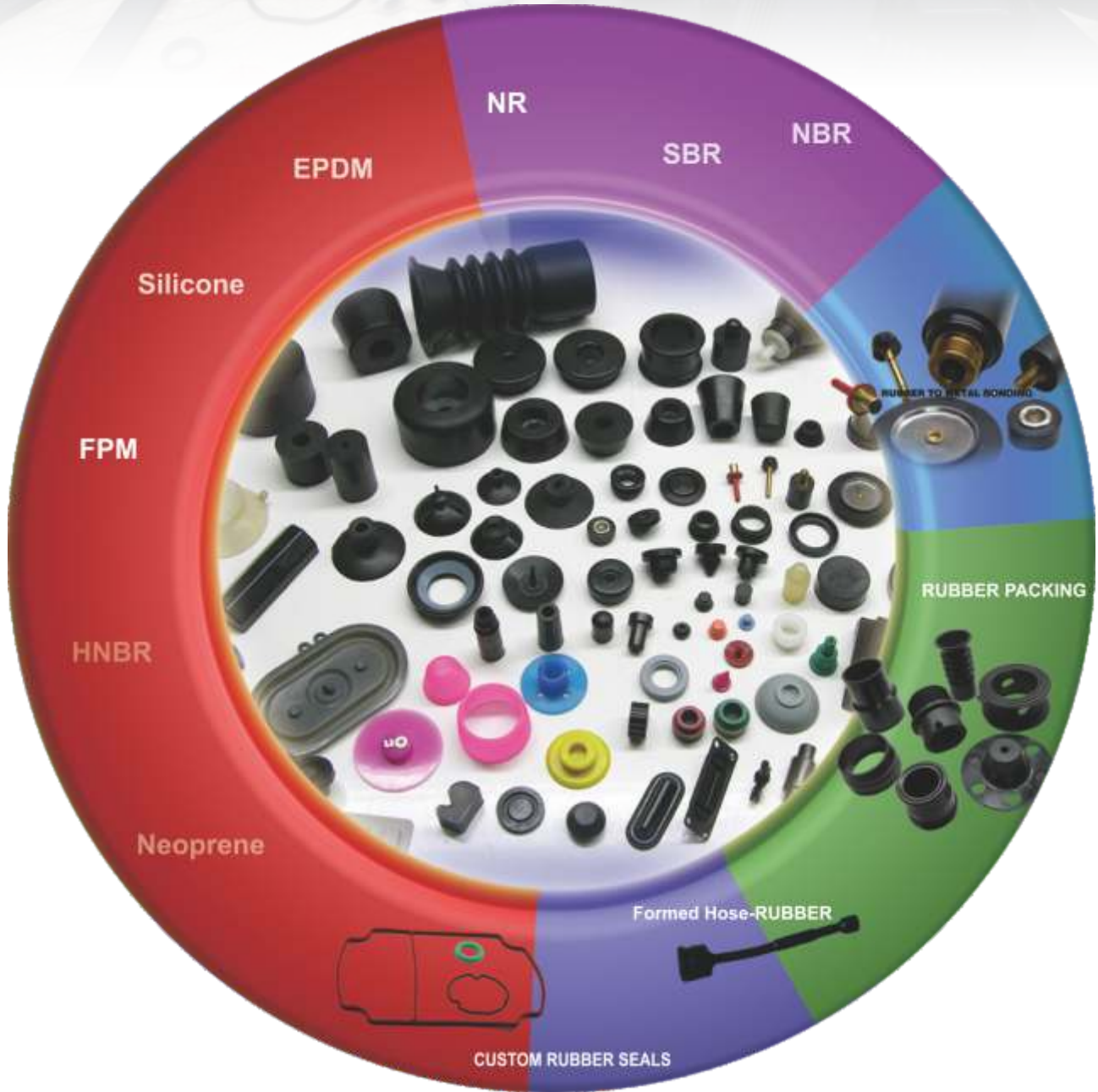




Chien Chie Rubber Technology Co.,Ltd.

Boots.
O-rings.
Packing.
Bushings.

Rubber seal.
Vacuum cups.
Rubber Gaskets.
Custom rubber seals



Chien Chie Rubber Technology Co., Ltd.

O-Ringe, Dichtungsringe aus Gummi, Buchsen, Muffen, Vakuum Sauggreifer, Verpackung, Gummidichtungen und Sonderanfertigungen von Gummidichtungen, etc.

Das Unternehmen Chien Chie Rubber Technology Co., Ltd. wurde 1984 gegründet und gilt als traditionsreiches Unternehmen mit Spezialisierung auf Design, Entwicklung und Herstellung von qualitativ hochwertigen Gummiprodukten für industrielle Anwendungen, darunter Autoteile, Badezimmerausstattungen, Gärtnereteile, Sportausrüstung, elektrischen Komponenten, Sonderanfertigungen und anderes.

Mit seinen hervorragenden Kapazitäten im Bereich Design und Entwicklung ist das Unternehmen in der Lage, ein breites Spektrum von Produktarten anzubieten, vor allem O-Ringe, Welldichtungen, Vakuum Sauggreifer, Dichtungen, Muffen, Buchsen, geformte Schläuche, Beilagscheiben aus Gummi, Verpackungs- und Gummidichtungen



Das Unternehmen besteht auf die Erfüllung von Standards der American Society for Testing and Materials (ASTM) und verwendet nur ausgewählte Materialien zur Herstellung seiner Qualitätsprodukte, darunter NBR, HNBR, EPDM, CR, Neopren, SBR, FPM, NR, Silikon, Viton und IIR. Neben den Standardprodukten übernimmt das Unternehmen auch Aufträge auf Basis von OEM/ODM (original equipment/design manufacturer) sowie für Sonderanfertigungen nach Kundenwunsch für verschiedene Anwendungsbereiche wie etwa Öl, Säure, Lauge, Hoch- und Niedrigtemperatur, Isolierung, Wasser, Feuer, Staub sowie Rutschfestigkeit.

Der Anbieter Chien Chie hat nicht nur neueste Spritzgussmaschinen und Vakuum Pressformmaschinen für Gummiprodukte im Angebot, sondern bietet auch komplette 2D/3D Lösungen an für das Design von Formen gemäß Kundenspezifikationen.

Chien Chie hat dabei mehrer wichtige Ziele im Auge, darunter Forschung und Entwicklung an seinen Produkten und Produktionstechniken, rasche Lieferung, Verbesserung der Produktqualität, umfassendes Kundenservice, um langfristige Zusammenarbeit sicherzustellen.



RUBBER

Chien Chie Rubber Technology Co., Ltd.

No. 27, Ln.85, Sec. 1, Jiatou Rd., Longjing Dist.,

Taichung City, Taiwan 43443

Tel: 886-4-2636-6059 Fax: 886-4-2636-6038

E-Mail: tccr@chien-chie.com.tw

Website: www.chien-chie.com



Company Profile



ESTABLISHED IN 1984

Chien Chie specializes in creating custom rubber products and elastomeric solutions that other manufacturers may not be able to make. O-rings, o-ring gaskets, rubber gasket seal, bushings, grommets, vacuum cups, packings, rubber seals, o ring seal and customer design seals etc.

LEADING OEM RUBBER PRODUCTS MANUFACTURER

Established in 1984, Chien Chie Rubber Technology Co., Ltd. is a veteran company specialized in designing, developing and manufacturing high-quality rubber products for industrial applications, including automotive parts, bathroom accessories, gardening parts, sporting equipment, electrical components, customized production, and others. Chien Chie industrial rubber products Pushing Innovation in Pneumatic & Metric Sealing for Over 40Years. A leading OEM rubber products manufacturers for industrial markets, specializing in electronics, automotive, and water & food applications. Chien Chie Rubber, rubber supplier, manufactures your rubber product to order from your chosen material.



CHIEN CHIE RUBBER

Chien Chie rubber technology co.,ltd is a,Taichung city in Taiwan, o-ring manufacturer and custom molded rubber parts. We do EP,NBR,FKM, SILICONE,HNBR,NR, SBR,ACM,IIR,AEM and PU o rings. Rubber seals are specially-shaped rubber tools that are used to contain the contents of a container or enclosure or to prevent the contamination of that enclosure. Rubber seal manufacturers,Chien Chie Rubber !

ISO 9001:2015 CERTIFIED COMPNAV

Chien Chie rubber is an ISO 9001:2015 certified compnay. We offer different kinds of seals to meet out customer specific parts requirements. we are not only manufacturer but also designer and distributor.



Company Equipment



Manufacturing Production Process

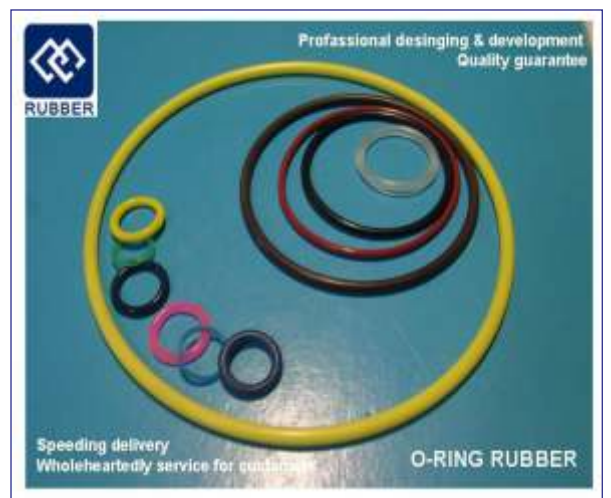


Environmental SVHC Control

A rubber product is a highly elastic object formed by a multi-component combination of substances through a certain cross-linking reaction. It is generally composed of raw rubber, fillers, plasticizers, active agents, accelerators, vulcanizing agents, and other additives (pigments, odors, electrical conductivity, etc.).....

There are many types of rubber, and natural rubber (raw gum) itself is non-toxic. The toxicity of some industrial rubber products comes from chemical additives and has nothing to do with rubber. However, due to the use of many chemical additives in the rubber processing process, various toxic substances/gases/pollutants may be generated during the processing. Rubber products used for contacting/packaging/processing food are processed in strict accordance with SVHC by ECHA, and the final product can be considered non-toxic.

Therefore, the careful selection of additives is a profound problem CHIEN CHIE not only represents ISO certification, but also strict with suppliers supplying RoHS & REACH certificates for take care of earth.



E-mail: tccr@chien-chie.com.tw

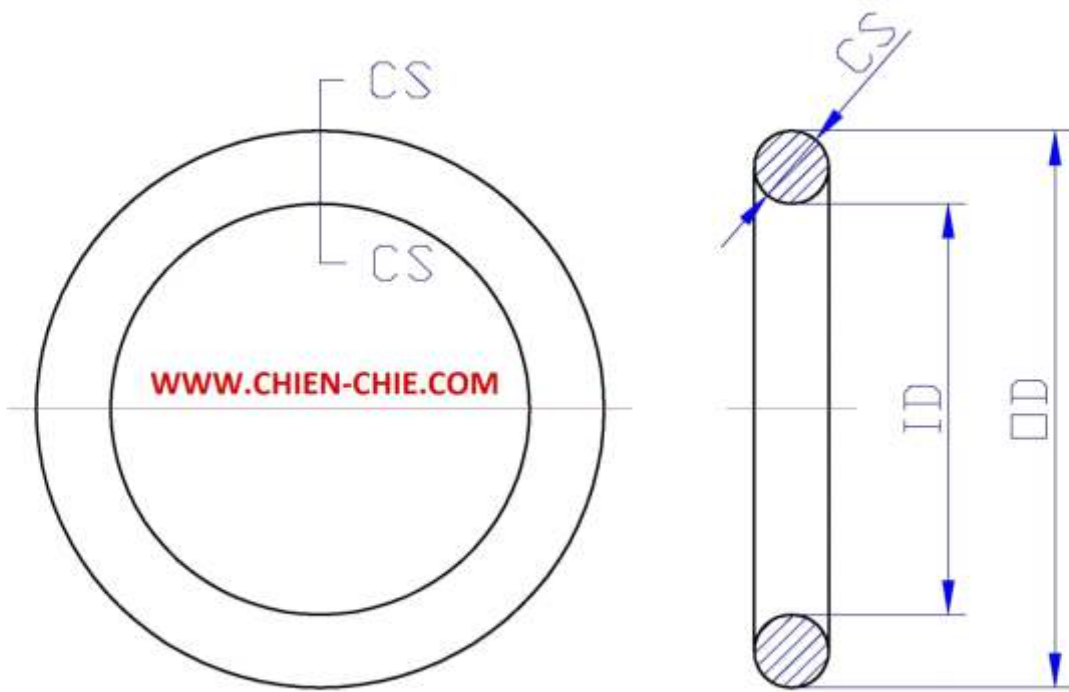
Material Properties

<http://www.chien-chie.com>

| Common name (ASTM) | NATURAL RUBBER (NR) | ISOPRENE RUBBER (IR) | STYRENE BUTADIENE RUBBER (SBR) | BUTADIENE RUBBER (BR) | POLYCHLOROPRENE (Neoprene) (CR) | BUTYL RUBBER (IIR) | NITRILE RUBBER (NBR) | ETHYLENE PROPYLENE RUBBER (EPDM) | CHLOROSULPHONATED POLYETHYLENE (CSM) | ACRYLIC RUBBER (ACM) | SILICONE RUBBER (VMQ) | FLUORO-ELASTOMERS (FKM/FPM) |
|---|---------------------------|---------------------------|--------------------------------|---------------------------|---------------------------------|---------------------------|-------------------------|----------------------------------|--------------------------------------|-------------------------|---------------------------|-----------------------------|
| Tensile Strength (Kg/cm ²) | 30~300 | 150~200 | 50~200 | 20~200 | 50~250 | 50~150 | 50~250 | 50~200 | 70~200 | 70~120 | 40~100 | 70~200 |
| Elongation(%) | 1000~100 | 1000~100 | 8800~100 | 800~100 | 1000~100 | 800~100 | 800~100 | 800~100 | 500~100 | 600~100 | 500~50 | 500~100 |
| Resiliency | ◎ | ◎ | ○ | ◎ | ◎ | △ | ○ | ○ | ○ | △ | ◎ | △ |
| Tear Resistance | ◎ | ○ | △ | ○ | ○ | ○ | ○ | △ | ○ | △ | X ~ △ | ○ |
| Abrasion Resistance | ◎ | ◎ | ◎ | ◎ | ○ ~ ◎ | ○ | ◎ | ○ | ◎ | ○ | X ~ △ | ◎ |
| Cracking Resistance | ◎ | ◎ | ○ | △ | ○ | ◎ | ○ | ○ | ○ | ○ | X ~ △ | ○ |
| Maximum~ Minimum Service Temperature (C) | -70~120 | -70~120 | -60~120 | -70~120 | -55~130 | -55~150 | -20~130 | -60~150 | -60~150 | -30~180 | -120~280 | -50~300 |
| Aging Resistance | ○ | ○ | ○ | ○ | ◎ | ◎ | ◎ | ◎ | ◎ | ◎ | ◎ | ◎ |
| Light Resistance | ○ | ○ | ○ | ○ | ○ | ◎ | ○ | ◎ | ◎ | ◎ | ◎ | ◎ |
| Ozone Resistance | X | X | X | X | ◎ | ◎ | X | ◎ | ◎ | ◎ | ◎ | ◎ |
| Flame Resistance | X | X | X | X | ○ | X | △ | X | X | X ~ △ | X ~ △ | ◎ |
| Insulation (Ωcm) | ^{10 15} 10~10 | ^{10 15} 10~10 | ^{10 15} 10~10 | ^{14 15} 10~10 | ^{10 15} 10~10 | ^{16 18} 10~10 | ^{2 8} 10~10 | ^{10 15} 10~10 | ¹⁴ 10 | ^{2 8} 10~10 | ^{11 15} 10~10 | ^{15 18} 10~10 |
| Air Impermeability | ○ | ○ | △ | ○ | ○ | ◎ | ○ | ○ | ◎ | ○ | △ ~ ○ | △ |
| Radiation Resistance | △ ~ ○ | △ ~ ○ | ○ | X | △ ~ ○ | X | △ ~ ○ | X | △ ~ ○ | X ~ ○ | △ ~ ◎ | △ ~ ○ |
| Solvent Resistance | NR | IR | SBR | BR | CR | IIR | NBR | EPDM | CSM | ACM | VMQ | FKM |
| Gasoline, Naphtha | X | X | X | X | ○ | X | ◎ | X | ○ | ◎ | X ~ △ | ◎ |
| Benzene, Toluene | X | X | X | X | X | △ ~ ○ | X ~ ○ | △ | X ~ ○ | X | X ~ △ | ◎ |
| Aliphatic Hydrocarbons | ◎ | X | X | X | X | X | X | X | X ~ △ | X | X ~ ○ | ○ |
| Alcohol | X | ◎ | ◎ | ◎ | ◎ | ◎ | ◎ | ◎ | ◎ | X | ◎ | ◎ |
| Ester | △ ~ ○ | X | X | X | X ~ △ | △ ~ ○ | X ~ △ | ○ | X | X | X ~ △ | X ~ △ |
| Ketones | X ~ △ | △ ~ ○ | △ ~ ○ | △ ~ ○ | △ ~ ○ | ◎ | X | ◎ | △ ~ ○ | X | ○ | X |
| Ethyl Acetate | ◎ | X ~ △ | X ~ △ | X ~ ○ | X | ◎ | X ~ △ | ◎ | X | X | △ | X |
| Acid / Alkali Resistance | NR | IR | SBR | BR | CR | IIR | NBR | EPDM | CSM | ACM | VMQ | FKM |
| Water | X | ◎ | ◎ | ◎ | ◎ | ◎ | ◎ | ◎ | ◎ | △ | ○ | ◎ |
| Organic Acid | X | X | X | X | X ~ △ | △ ~ ○ | X ~ △ | X | △ | X | ○ | X |
| High Consistency Inorganic Acid | ○ | X | X | X | ○ | ◎ | △ | ○ | ◎ | △ | △ | ◎ |
| Low Consistency Organic Acid | ○ | ○ | ○ | ○ | ◎ | ◎ | ○ | ◎ | ◎ | ○ | ○ | ◎ |
| High Consistency Alkali | ○ | ○ | ○ | ○ | ◎ | ◎ | ○ | ◎ | ◎ | △ | ◎ | X |
| Low Consistency Alkali | ○ | ○ | ○ | ○ | ◎ | ◎ | ○ | ◎ | ◎ | ○ | ◎ | △ |

◎ Excellent ○ Good △ Fair × Poor

O-ring



ORING O 型環



O-Ring Size / JIS B2401-P

| Article No. | O-Ring Size / JIS B2401-P (All dimensions are in mm) | | | | Nominal Size (reference only) (All dimensions are in inches) | | | |
|-------------|---|------|-----------------------|------|---|-------|-------------------------|-------|
| | ID (DIN3771) | ± | C/S (mm) (DIN3771) | ± | ID (DIN3771) | ± | C/S (inch) (DIN3771) | ± |
| P 3 | 2.8 | 0.14 | 1.9 | 0.09 | 0.110 | 0.006 | 0.075 | 0.004 |
| P 4 | 3.8 | 0.14 | 1.9 | | 0.150 | 0.006 | 0.075 | |
| P 5 | 4.8 | 0.14 | 1.9 | | 0.189 | 0.006 | 0.075 | |
| P 6 | 5.8 | 0.15 | 1.9 | | 0.228 | 0.006 | 0.075 | |
| P 7 | 6.8 | 0.16 | 1.9 | | 0.268 | 0.006 | 0.075 | |
| P 8 | 7.8 | 0.16 | 1.9 | | 0.307 | 0.006 | 0.075 | |
| P 9 | 8.8 | 0.17 | 1.9 | | 0.346 | 0.007 | 0.075 | |
| P 10 | 9.8 | 0.17 | 1.9 | | 0.386 | 0.007 | 0.075 | |
| P 10A | 9.8 | 0.17 | 2.4 | | 0.386 | 0.007 | 0.094 | |
| P 11 | 10.8 | 0.18 | 2.4 | | 0.425 | 0.007 | 0.094 | |
| P 11.2 | 11.0 | 0.18 | 2.4 | | 0.433 | 0.007 | 0.094 | |
| P 12 | 11.8 | 0.19 | 2.4 | | 0.465 | 0.007 | 0.094 | |
| P 12.5 | 12.3 | 0.19 | 2.4 | | 0.484 | 0.007 | 0.094 | |
| P 14 | 13.8 | 0.19 | 2.4 | | 0.543 | 0.007 | 0.094 | |
| P 15 | 14.8 | 0.20 | 2.4 | | 0.583 | 0.008 | 0.094 | |
| P 16 | 15.8 | 0.20 | 2.4 | | 0.622 | 0.008 | 0.094 | |
| P 18 | 17.8 | 0.21 | 2.4 | | 0.701 | 0.008 | 0.094 | |
| P 20 | 19.8 | 0.22 | 2.4 | | 0.780 | 0.009 | 0.094 | |
| P 21 | 20.8 | 0.23 | 2.4 | | 0.819 | 0.009 | 0.094 | |
| P 22 | 21.8 | 0.24 | 2.4 | | 0.858 | 0.009 | 0.094 | |
| P 22A | 21.7 | 0.24 | 3.5 | | 0.854 | 0.009 | 0.138 | |
| P 22.4 | 22.1 | 0.24 | 3.5 | | 0.870 | 0.009 | 0.138 | |
| P 24 | 23.7 | 0.25 | 3.5 | | 0.933 | 0.010 | 0.138 | |
| P 25 | 24.7 | 0.25 | 3.5 | | 0.972 | 0.010 | 0.138 | |
| P 25.5 | 25.2 | 0.26 | 3.5 | | 0.992 | 0.010 | 0.138 | |
| P 26 | 25.7 | 0.26 | 3.5 | | 1.012 | 0.010 | 0.138 | |
| P 28 | 27.7 | 0.28 | 3.5 | | 1.091 | 0.011 | 0.138 | |
| P 29 | 28.7 | 0.29 | 3.5 | | 1.130 | 0.011 | 0.138 | |
| P 29.5 | 29.2 | 0.29 | 3.5 | | 1.150 | 0.011 | 0.138 | |
| P 30 | 29.7 | 0.29 | 3.5 | | 1.169 | 0.011 | 0.138 | |
| P 31 | 30.7 | 0.31 | 3.5 | | 1.209 | 0.012 | 0.138 | |
| P 31.5 | 31.2 | 0.31 | 3.5 | | 1.228 | 0.012 | 0.138 | |
| P 32 | 31.7 | 0.32 | 3.5 | | 1.248 | 0.013 | 0.138 | |
| P 34 | 33.7 | 0.33 | 3.5 | | 1.327 | 0.013 | 0.138 | |
| P 35 | 34.7 | 0.34 | 3.5 | | 1.366 | 0.013 | 0.138 | |
| P 35.5 | 35.2 | 0.34 | 3.5 | | 1.386 | 0.013 | 0.138 | |
| P 36 | 35.7 | 0.35 | 3.5 | | 1.406 | 0.014 | 0.138 | |
| P 38 | 37.7 | 0.37 | 3.5 | | 1.484 | 0.015 | 0.138 | |
| P 39 | 38.7 | 0.37 | 3.5 | | 1.524 | 0.015 | 0.138 | |
| P 40 | 39.7 | 0.38 | 3.5 | | 1.563 | 0.015 | 0.138 | |
| P 41 | 40.7 | 0.39 | 3.5 | | 1.602 | 0.015 | 0.138 | |
| P 42 | 41.7 | 0.40 | 3.5 | | 1.642 | 0.016 | 0.138 | |
| P 44 | 43.7 | 0.41 | 3.5 | | 1.720 | 0.016 | 0.138 | |
| P 45 | 44.7 | 0.42 | 3.5 | | 1.760 | 0.017 | 0.138 | |
| P 46 | 45.7 | 0.43 | 3.5 | | 1.799 | 0.017 | 0.138 | |
| P 48 | 47.7 | 0.45 | 3.5 | | 1.878 | 0.018 | 0.138 | |
| P 49 | 48.7 | 0.45 | 3.5 | | 1.917 | 0.018 | 0.138 | |
| P 50 | 49.7 | 0.46 | 3.5 | | 1.957 | 0.018 | 0.138 | |

O-Ring Size / JIS B2401-P

| Article No. | O-Ring Size / JIS B2401-P (All dimensions are in mm) | | | | Nominal Size(reference only) (All dimensions are in inches) | | | |
|-------------|---|------|-----------------------|-------|---|-------|-------------------------|-------|
| | ID (DIN3771) | ± | C/S (mm) (DIN3771) | ± | ID (DIN3771) | ± | C/S (inch) (DIN3771) | ± |
| P 48A | 47.6 | 0.45 | 5.7 | 0.13 | 1.874 | 0.018 | 0.224 | 0.005 |
| P 50A | 49.6 | 0.46 | 5.7 | | 1.953 | 0.018 | 0.224 | |
| P 52 | 51.6 | 0.48 | 5.7 | | 2.031 | 0.019 | 0.224 | |
| P 53 | 52.6 | 0.48 | 5.7 | | 2.071 | 0.019 | 0.224 | |
| P 55 | 54.6 | 0.51 | 5.7 | | 2.150 | 0.020 | 0.224 | |
| P 56 | 55.6 | 0.51 | 5.7 | | 2.189 | 0.020 | 0.224 | |
| P 58 | 57.6 | 0.52 | 5.7 | | 2.268 | 0.020 | 0.224 | |
| P 60 | 59.6 | 0.54 | 5.7 | | 2.346 | 0.021 | 0.224 | |
| P 62 | 61.6 | 0.56 | 5.7 | | 2.425 | 0.022 | 0.224 | |
| P 63 | 62.6 | 0.56 | 5.7 | | 2.465 | 0.022 | 0.224 | |
| P 65 | 64.6 | 0.58 | 5.7 | | 2.543 | 0.023 | 0.224 | |
| P 67 | 66.6 | 0.59 | 5.7 | | 2.622 | 0.023 | 0.224 | |
| P 70 | 69.6 | 0.63 | 5.7 | | 2.740 | 0.025 | 0.224 | |
| P 71 | 70.6 | 0.63 | 5.7 | | 2.780 | 0.025 | 0.224 | |
| P 75 | 74.6 | 0.66 | 5.7 | | 2.937 | 0.026 | 0.224 | |
| P 80 | 96.6 | 0.83 | 5.7 | | 3.803 | 0.033 | 0.224 | |
| P 85 | 84.6 | 0.73 | 5.7 | | 3.331 | 0.029 | 0.224 | |
| P 90 | 89.6 | 0.77 | 5.7 | | 3.528 | 0.030 | 0.224 | |
| P 95 | 94.6 | 0.81 | 5.7 | | 3.724 | 0.032 | 0.224 | |
| P 100 | 99.6 | 0.84 | 5.7 | | 3.921 | 0.033 | 0.224 | |
| P 102 | 101.6 | 0.87 | 5.7 | | 4.000 | 0.034 | 0.224 | |
| P 105 | 104.6 | 0.89 | 5.7 | | 4.118 | 0.035 | 0.224 | |
| P 110 | 109.6 | 0.93 | 5.7 | | 4.315 | 0.037 | 0.224 | |
| P 112 | 111.6 | 0.93 | 5.7 | | 4.394 | 0.037 | 0.224 | |
| P 115 | 114.6 | 0.95 | 5.7 | | 4.512 | 0.037 | 0.224 | |
| P 120 | 119.6 | 1.00 | 5.7 | | 4.709 | 0.039 | 0.224 | |
| P 125 | 124.6 | 1.03 | 5.7 | | 4.906 | 0.041 | 0.224 | |
| P 130 | 129.6 | 1.08 | 5.7 | | 5.102 | 0.043 | 0.224 | |
| P 132 | 131.6 | 1.08 | 5.7 | | 5.181 | 0.043 | 0.224 | |
| P 135 | 134.6 | 1.10 | 5.7 | | 5.299 | 0.043 | 0.224 | |
| P 140 | 139.6 | 1.13 | 5.7 | | 5.496 | 0.044 | 0.224 | |
| P 145 | 144.6 | 1.17 | 5.7 | | 5.693 | 0.046 | 0.224 | |
| P 150 | 149.6 | 1.20 | 5.7 | | 5.890 | 0.047 | 0.224 | |
| P 150A | 149.5 | 1.20 | 8.4 | | 5.886 | 0.047 | 0.331 | |
| P 155 | 154.5 | 1.24 | 8.4 | 6.083 | 0.049 | 0.331 | | |
| P 160 | 159.5 | 1.27 | 8.4 | 6.280 | 0.050 | 0.331 | | |
| P 165 | 164.5 | 1.31 | 8.4 | 6.476 | 0.052 | 0.331 | | |
| P 170 | 169.5 | 1.34 | 8.4 | 6.673 | 0.053 | 0.331 | | |
| P 175 | 174.5 | 1.38 | 8.4 | 6.870 | 0.054 | 0.331 | | |
| P 180 | 179.5 | 1.41 | 8.4 | 7.067 | 0.056 | 0.331 | | |
| P 185 | 184.5 | 1.44 | 8.4 | 7.264 | 0.057 | 0.331 | | |
| P 190 | 189.5 | 1.48 | 8.4 | 7.461 | 0.058 | 0.331 | | |
| P 195 | 194.5 | 1.51 | 8.4 | 7.657 | 0.059 | 0.331 | | |
| P 200 | 199.5 | 1.55 | 8.4 | 7.854 | 0.061 | 0.331 | | |
| P 205 | 204.5 | 1.59 | 8.4 | 8.051 | 0.063 | 0.331 | | |
| P 209 | 208.5 | 1.63 | 8.4 | 8.209 | 0.064 | 0.331 | | |
| P 210 | 209.5 | 1.63 | 8.4 | 8.248 | 0.064 | 0.331 | | |
| P 215 | 214.5 | 1.67 | 8.4 | 8.445 | 0.066 | 0.331 | | |

O-Ring Size / JIS B2401-P

| Article No. | O-Ring Size / JIS B2401-P (All dimensions are in mm) | | | | Nominal Size(reference only) (All dimensions are in inches) | | | |
|-------------|---|------|-----------------------|--------|--|-------|-------------------------|-------|
| | ID (DIN3771) | ± | C/S (mm) (DIN3771) | ± | ID (DIN3771) | ± | C/S (inch) (DIN3771) | ± |
| P 220 | 219.5 | 1.71 | 8.4 | 0.15 | 8.642 | 0.067 | 0.331 | 0.006 |
| P 225 | 224.5 | 1.75 | 8.4 | | 8.839 | 0.069 | 0.331 | |
| P 230 | 229.5 | 1.75 | 8.4 | | 9.035 | 0.069 | 0.331 | |
| P 235 | 234.5 | 1.79 | 8.4 | | 9.232 | 0.070 | 0.331 | |
| P 240 | 239.5 | 1.83 | 8.4 | | 9.429 | 0.072 | 0.331 | |
| P 245 | 244.5 | 1.88 | 8.4 | | 9.626 | 0.074 | 0.331 | |
| P 250 | 249.5 | 1.88 | 8.4 | | 9.823 | 0.074 | 0.331 | |
| P 255 | 254.5 | 1.93 | 8.4 | | 10.020 | 0.076 | 0.331 | |
| P 260 | 259.5 | 1.98 | 8.4 | | 10.217 | 0.078 | 0.331 | |
| P 265 | 264.5 | 1.98 | 8.4 | | 10.413 | 0.078 | 0.331 | |
| P 270 | 269.5 | 2.02 | 8.4 | | 10.610 | 0.080 | 0.331 | |
| P 275 | 274.5 | 2.08 | 8.4 | | 10.807 | 0.082 | 0.331 | |
| P 280 | 279.5 | 2.08 | 8.4 | | 11.004 | 0.082 | 0.331 | |
| P 285 | 284.5 | 2.14 | 8.4 | | 11.201 | 0.084 | 0.331 | |
| P 290 | 289.5 | 2.14 | 8.4 | | 11.398 | 0.084 | 0.331 | |
| P 295 | 294.5 | 2.21 | 8.4 | | 11.594 | 0.087 | 0.331 | |
| P 300 | 299.5 | 2.21 | 8.4 | | 11.791 | 0.087 | 0.331 | |
| P 315 | 314.5 | 2.30 | 8.4 | | 12.382 | 0.091 | 0.331 | |
| P 320 | 319.5 | 2.37 | 8.4 | | 12.579 | 0.093 | 0.331 | |
| P 335 | 334.5 | 2.43 | 8.4 | | 13.169 | 0.096 | 0.331 | |
| P 340 | 339.5 | 2.49 | 8.4 | | 13.366 | 0.098 | 0.331 | |
| P 355 | 354.5 | 2.56 | 8.4 | | 13.957 | 0.101 | 0.331 | |
| P 360 | 359.5 | 2.62 | 8.4 | | 14.154 | 0.103 | 0.331 | |
| P 375 | 374.5 | 2.68 | 8.4 | | 14.744 | 0.106 | 0.331 | |
| P 385 | 384.5 | 2.76 | 8.4 | | 15.138 | 0.109 | 0.331 | |
| P 400 | 399.5 | 2.84 | 8.4 | | 15.728 | 0.112 | 0.331 | |
| P 405 | 404.5 | 3.00 | 8.4 | | 15.925 | 0.118 | 0.331 | |
| P 410 | 409.5 | 3.00 | 8.4 | | 16.122 | 0.118 | 0.331 | |
| P 415 | 414.5 | 3.00 | 8.4 | | 16.319 | 0.118 | 0.331 | |
| P 420 | 419.5 | 3.00 | 8.4 | | 16.516 | 0.118 | 0.331 | |
| P 425 | 424.5 | 3.00 | 8.4 | | 16.909 | 0.118 | 0.331 | |
| P 430 | 429.5 | 3.00 | 8.4 | | 17.106 | 0.118 | 0.331 | |
| P 435 | 434.5 | 3.00 | 8.4 | | 17.303 | 0.118 | 0.331 | |
| P 440 | 439.5 | 3.00 | 8.4 | | 17.500 | 0.118 | 0.331 | |
| P 445 | 444.5 | 3.00 | 8.4 | | 17.697 | 0.130 | 0.331 | |
| P 450 | 449.5 | 3.30 | 8.4 | | 17.894 | 0.130 | 0.331 | |
| P 455 | 454.5 | 3.30 | 8.4 | | 18.091 | 0.130 | 0.331 | |
| P 460 | 459.5 | 3.30 | 8.4 | | 18.287 | 0.130 | 0.331 | |
| P 465 | 464.5 | 3.30 | 8.4 | | 18.484 | 0.130 | 0.331 | |
| P 470 | 469.5 | 3.30 | 8.4 | | 18.681 | 0.130 | 0.331 | |
| P 475 | 474.5 | 3.30 | 8.4 | 18.878 | 0.130 | 0.331 | | |
| P 480 | 479.5 | 3.30 | 8.4 | 19.075 | 0.130 | 0.331 | | |
| P 485 | 484.5 | 3.30 | 8.4 | 19.272 | 0.130 | 0.331 | | |
| P 490 | 489.5 | 3.30 | 8.4 | 19.469 | 0.130 | 0.331 | | |
| P 495 | 494.5 | 3.30 | 8.4 | 19.665 | 0.130 | 0.331 | | |
| P 500 | 499.5 | 3.30 | 8.4 | 23.209 | 0.156 | 0.331 | | |
| P 590 | 589.5 | 3.97 | 8.4 | 23.602 | 0.159 | 0.331 | | |
| P 600 | 599.5 | 4.03 | 8.4 | 23.996 | 0.161 | 0.331 | | |
| P 610 | 609.5 | 4.09 | 8.4 | 24.390 | 0.163 | 0.331 | | |
| P 620 | 619.5 | 4.15 | 8.4 | 24.587 | 0.165 | 0.331 | | |
| P 625 | 624.5 | 4.18 | 8.4 | 24.980 | 0.167 | 0.331 | | |

O-Ring Size / JIS B2401-P

| Article No. | O-Ring Size / JIS B2401-P (All dimensions are in mm) | | | | Nominal Size(reference only) (All dimensions are in inches) | | | |
|-------------|---|------|-----------------------|--------|--|-------|-------------------------|-------|
| | ID (DIN3771) | ± | C/S (mm) (DIN3771) | ± | ID (DIN3771) | ± | C/S (inch) (DIN3771) | ± |
| P 635 | 634.5 | 4.25 | 8.4 | 0.15 | 24.980 | 0.167 | 0.331 | 0.006 |
| P 650 | 649.5 | 4.34 | 8.4 | | 25.571 | 0.171 | 0.331 | |
| P 680 | 679.5 | 4.52 | 8.4 | | 26.752 | 0.178 | 0.331 | |
| P 690 | 689.5 | 4.59 | 8.4 | | 27.146 | 0.181 | 0.331 | |
| P 700 | 699.5 | 4.65 | 8.4 | | 27.539 | 0.183 | 0.331 | |
| P 710 | 709.5 | 4.71 | 8.4 | | 27.933 | 0.185 | 0.331 | |
| P 720 | 719.5 | 4.77 | 8.4 | | 28.327 | 0.188 | 0.331 | |
| P 730 | 729.5 | 4.83 | 8.4 | | 28.720 | 0.190 | 0.331 | |
| P 740 | 739.5 | 4.89 | 8.4 | | 29.114 | 0.193 | 0.331 | |
| P 750 | 749.5 | 4.95 | 8.4 | | 29.508 | 0.195 | 0.331 | |
| P 760 | 759.5 | 5.02 | 8.4 | | 29.902 | 0.198 | 0.331 | |
| P 770 | 769.5 | 5.08 | 8.4 | | 30.295 | 0.200 | 0.331 | |
| P 780 | 779.5 | 5.14 | 8.4 | | 30.689 | 0.202 | 0.331 | |
| P 790 | 789.5 | 5.20 | 8.4 | | 31.083 | 0.205 | 0.331 | |
| P 800 | 799.5 | 5.26 | 8.4 | | 31.476 | 0.207 | 0.331 | |
| P 810 | 809.5 | 5.32 | 8.4 | | 31.870 | 0.209 | 0.331 | |
| P 820 | 819.5 | 5.38 | 8.4 | | 32.264 | 0.212 | 0.331 | |
| P 830 | 829.5 | 5.44 | 8.4 | | 32.657 | 0.214 | 0.331 | |
| P 840 | 839.5 | 5.51 | 8.4 | | 33.051 | 0.217 | 0.331 | |
| P 850 | 849.5 | 5.57 | 8.4 | | 33.445 | 0.219 | 0.331 | |
| P 860 | 859.5 | 5.63 | 8.4 | | 33.839 | 0.222 | 0.331 | |
| P 870 | 869.5 | 5.69 | 8.4 | | 34.232 | 0.224 | 0.331 | |
| P 880 | 879.5 | 5.75 | 8.4 | | 34.626 | 0.226 | 0.331 | |
| P 890 | 889.5 | 5.81 | 8.4 | | 35.020 | 0.229 | 0.331 | |
| P 900 | 899.5 | 5.87 | 8.4 | | 35.413 | 0.231 | 0.331 | |
| P 910 | 909.5 | 5.93 | 8.4 | | 35.807 | 0.233 | 0.331 | |
| P 915 | 914.5 | 5.96 | 8.4 | | 36.004 | 0.235 | 0.331 | |
| P 920 | 919.5 | 5.99 | 8.4 | | 36.201 | 0.236 | 0.331 | |
| P 930 | 929.5 | 6.05 | 8.4 | | 36.594 | 0.238 | 0.331 | |
| P 940 | 939.5 | 6.11 | 8.4 | | 36.988 | 0.241 | 0.331 | |
| P 950 | 949.5 | 6.18 | 8.4 | 37.382 | 0.243 | 0.331 | | |
| P 960 | 959.5 | 6.24 | 8.4 | 37.776 | 0.246 | 0.331 | | |
| P 970 | 969.5 | 6.30 | 8.4 | 38.169 | 0.248 | 0.331 | | |
| P 980 | 979.5 | 6.36 | 8.4 | 38.563 | 0.250 | 0.331 | | |
| P 990 | 989.5 | 6.42 | 8.4 | 38.957 | 0.253 | 0.331 | | |
| P 1000 | 999.5 | 6.48 | 8.4 | 39.350 | 0.253 | 0.331 | | |



O-Ring Size / JIS B2401-G

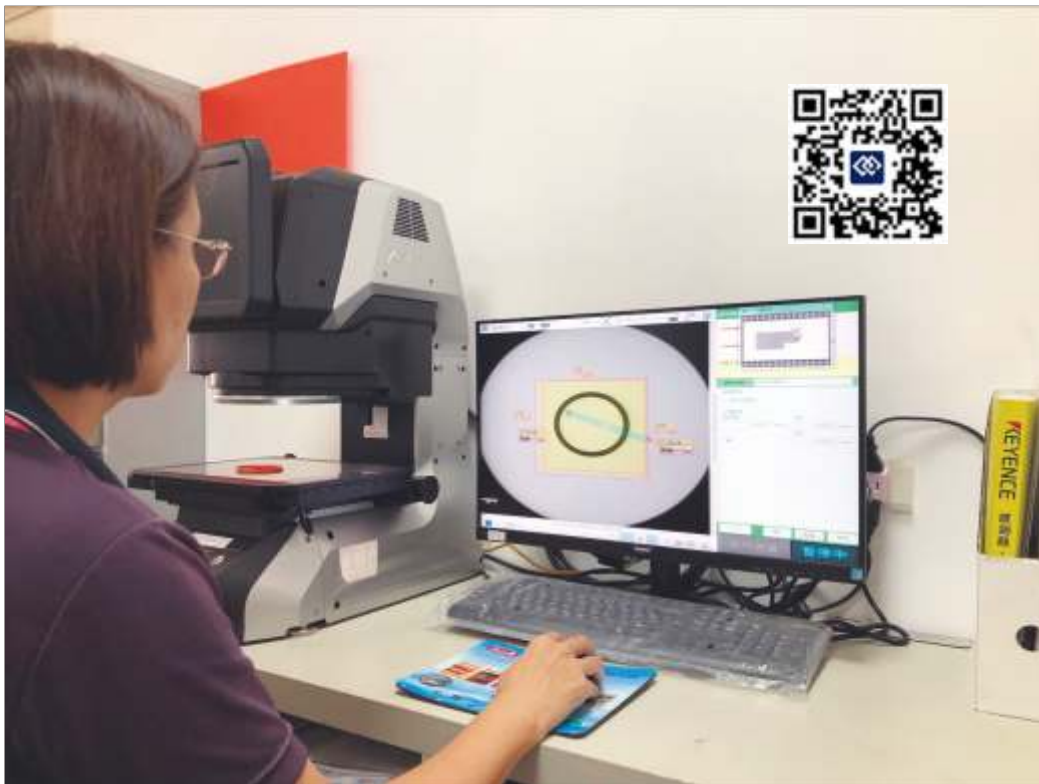
| Article No. | O-Ring Size / JIS B2401-G (All dimensions are in mm) | | | | Nominal Size (reference only) (All dimensions are in inches) | | | |
|-------------|---|------|-----------------------|--------|---|-------|-------------------------|-------|
| | ID (DIN3771) | ± | C/S (mm) (DIN3771) | ± | ID (DIN3771) | ± | C/S (inch) (DIN3771) | ± |
| G 25 | 24.4 | 0.25 | 3.1 | 0.1 | 0.961 | 0.010 | 0.122 | 0.004 |
| G 30 | 29.4 | 0.29 | 3.1 | | 1.157 | 0.011 | 0.122 | |
| G 35 | 34.4 | 0.33 | 3.1 | | 1.354 | 0.013 | 0.122 | |
| G 40 | 39.4 | 0.38 | 3.1 | | 1.551 | 0.015 | 0.122 | |
| G 45 | 44.4 | 0.42 | 3.1 | | 1.748 | 0.017 | 0.122 | |
| G 50 | 49.4 | 0.46 | 3.1 | | 1.945 | 0.018 | 0.122 | |
| G 55 | 54.4 | 0.50 | 3.1 | | 2.142 | 0.020 | 0.122 | |
| G 60 | 59.4 | 0.54 | 3.1 | | 2.339 | 0.021 | 0.122 | |
| G 65 | 64.4 | 0.58 | 3.1 | | 2.535 | 0.023 | 0.122 | |
| G 70 | 69.4 | 0.63 | 3.1 | | 2.732 | 0.025 | 0.122 | |
| G 75 | 74.4 | 0.66 | 3.1 | | 2.929 | 0.026 | 0.122 | |
| G 80 | 79.4 | 0.69 | 3.1 | | 3.126 | 0.027 | 0.122 | |
| G 85 | 84.4 | 0.73 | 3.1 | | 3.323 | 0.029 | 0.122 | |
| G 90 | 89.4 | 0.77 | 3.1 | | 3.520 | 0.030 | 0.122 | |
| G 95 | 94.4 | 0.81 | 3.1 | | 3.717 | 0.032 | 0.122 | |
| G 100 | 99.4 | 0.84 | 3.1 | | 3.913 | 0.033 | 0.122 | |
| G 105 | 104.4 | 0.89 | 3.1 | | 4.110 | 0.035 | 0.122 | |
| G 110 | 109.4 | 0.93 | 3.1 | | 4.307 | 0.037 | 0.122 | |
| G 115 | 114.4 | 0.95 | 3.1 | | 4.504 | 0.037 | 0.122 | |
| G 120 | 119.4 | 1.00 | 3.1 | | 4.701 | 0.039 | 0.122 | |
| G 125 | 124.4 | 1.03 | 3.1 | 4.898 | 0.041 | 0.122 | | |
| G 130 | 129.4 | 1.08 | 3.1 | 5.094 | 0.043 | 0.122 | | |
| G 135 | 134.4 | 1.10 | 3.1 | 5.291 | 0.043 | 0.122 | | |
| G 140 | 139.4 | 1.13 | 3.1 | 5.488 | 0.044 | 0.122 | | |
| G 145 | 144.4 | 1.17 | 3.1 | 5.685 | 0.046 | 0.122 | | |
| G 150 | 149.3 | 1.20 | 5.7 | 5.878 | 0.047 | 0.224 | 0.005 | |
| G 155 | 154.3 | 1.24 | 5.7 | 6.075 | 0.049 | 0.224 | | |
| G 160 | 159.3 | 1.27 | 5.7 | 6.272 | 0.050 | 0.224 | | |
| G 165 | 164.3 | 1.31 | 5.7 | 6.469 | 0.052 | 0.224 | | |
| G 170 | 169.3 | 1.34 | 5.7 | 6.665 | 0.053 | 0.224 | | |
| G 175 | 174.3 | 1.38 | 5.7 | 6.862 | 0.054 | 0.224 | | |
| G 180 | 179.3 | 1.41 | 5.7 | 7.059 | 0.056 | 0.224 | | |
| G 185 | 184.3 | 1.44 | 5.7 | 7.256 | 0.057 | 0.224 | | |
| G 190 | 189.3 | 1.48 | 5.7 | 7.453 | 0.058 | 0.224 | | |
| G 195 | 194.3 | 1.51 | 5.7 | 7.650 | 0.059 | 0.224 | | |
| G 200 | 199.3 | 1.55 | 5.7 | 7.846 | 0.061 | 0.224 | | |
| G 210 | 209.3 | 1.63 | 5.7 | 8.240 | 0.064 | 0.224 | | |
| G 220 | 219.3 | 1.71 | 5.7 | 8.634 | 0.067 | 0.224 | | |
| G 230 | 229.3 | 1.75 | 5.7 | 9.028 | 0.069 | 0.224 | | |
| G 240 | 239.3 | 1.83 | 5.7 | 9.421 | 0.072 | 0.224 | | |
| G 250 | 249.3 | 1.88 | 5.7 | 9.815 | 0.074 | 0.224 | | |
| G 260 | 259.3 | 1.98 | 5.7 | 10.209 | 0.078 | 0.224 | | |
| G 270 | 269.3 | 2.02 | 5.7 | 10.602 | 0.080 | 0.224 | | |
| G 280 | 279.3 | 2.08 | 5.7 | 10.996 | 0.082 | 0.224 | | |
| G 290 | 289.3 | 2.14 | 5.7 | 11.390 | 0.084 | 0.224 | | |
| G 300 | 299.3 | 2.21 | 5.7 | 11.783 | 0.087 | 0.224 | | |
| G 305 | 304.3 | 2.24 | 5.7 | 11.980 | 0.088 | 0.224 | | |
| G 310 | 309.3 | 2.27 | 5.7 | 12.177 | 0.089 | 0.224 | | |
| G 315 | 314.3 | 2.30 | 5.7 | 12.374 | 0.091 | 0.224 | | |
| G 320 | 319.3 | 2.33 | 5.7 | 12.571 | 0.092 | 0.224 | | |
| G 325 | 324.3 | 2.36 | 5.7 | 12.768 | 0.093 | 0.224 | | |

O-Ring Size / JIS B2401-G

| Article No. | O-Ring Size / JIS B2401-G (All dimensions are in mm) | | | | Nominal Size (reference only) (All dimensions are in inches) | | | |
|-------------|---|------|-----------------------|--------|---|-------|-------------------------|-------|
| | ID (DIN3771) | ± | C/S (mm) (DIN3771) | ± | ID (DIN3771) | ± | C/S (inch) (DIN3771) | ± |
| G 330 | 329.3 | 2.39 | 5.7 | 0.15 | 12.965 | 0.094 | 0.224 | 0.005 |
| G 335 | 334.3 | 2.42 | 5.7 | | 13.161 | 0.095 | 0.224 | |
| G 340 | 339.3 | 2.45 | 5.7 | | 13.358 | 0.096 | 0.224 | |
| G 345 | 344.3 | 2.48 | 5.7 | | 13.555 | 0.098 | 0.224 | |
| G 350 | 349.3 | 2.51 | 5.7 | | 13.752 | 0.099 | 0.224 | |
| G 355 | 354.3 | 2.54 | 5.7 | | 13.949 | 0.100 | 0.224 | |
| G 360 | 359.3 | 2.57 | 5.7 | | 14.146 | 0.101 | 0.224 | |
| G 365 | 364.3 | 2.60 | 5.7 | | 14.343 | 0.102 | 0.224 | |
| G 370 | 369.3 | 2.63 | 5.7 | | 14.539 | 0.104 | 0.224 | |
| G 375 | 374.3 | 2.67 | 5.7 | | 14.736 | 0.105 | 0.224 | |
| G 380 | 379.3 | 2.70 | 5.7 | | 14.933 | 0.106 | 0.224 | |
| G 385 | 384.3 | 2.73 | 5.7 | | 15.130 | 0.107 | 0.224 | |
| G 390 | 389.3 | 2.77 | 5.7 | | 15.327 | 0.109 | 0.224 | |
| G 395 | 394.3 | 2.79 | 5.7 | | 15.524 | 0.110 | 0.224 | |
| G 400 | 399.3 | 2.82 | 5.7 | | 15.720 | 0.111 | 0.224 | |
| G 405 | 404.3 | 3.00 | 5.7 | | 15.917 | 0.118 | 0.224 | |
| G 410 | 409.3 | 3.00 | 5.7 | | 16.114 | 0.118 | 0.224 | |
| G 415 | 414.3 | 3.00 | 5.7 | | 16.311 | 0.118 | 0.224 | |
| G 420 | 419.3 | 3.00 | 5.7 | | 16.508 | 0.118 | 0.224 | |
| G 425 | 424.3 | 3.00 | 5.7 | | 16.705 | 0.118 | 0.224 | |
| G 430 | 429.3 | 3.00 | 5.7 | | 16.902 | 0.118 | 0.224 | |
| G 435 | 434.3 | 3.00 | 5.7 | | 17.098 | 0.118 | 0.224 | |
| G 440 | 439.3 | 3.00 | 5.7 | | 17.295 | 0.118 | 0.224 | |
| G 445 | 444.3 | 3.00 | 5.7 | | 17.492 | 0.118 | 0.224 | |
| G 450 | 449.3 | 3.30 | 5.7 | | 17.689 | 0.118 | 0.224 | |
| G 455 | 454.3 | 3.30 | 5.7 | | 17.886 | 0.130 | 0.224 | |
| G 460 | 459.3 | 3.30 | 5.7 | | 18.083 | 0.130 | 0.224 | |
| G 465 | 464.3 | 3.30 | 5.7 | | 18.280 | 0.130 | 0.224 | |
| G 470 | 469.3 | 3.30 | 5.7 | | 18.476 | 0.130 | 0.224 | |
| G 475 | 474.3 | 3.30 | 5.7 | | 18.673 | 0.130 | 0.224 | |
| G 480 | 479.3 | 3.30 | 5.7 | | 18.870 | 0.130 | 0.224 | |
| G 485 | 484.3 | 3.30 | 5.7 | | 19.067 | 0.130 | 0.224 | |
| G 490 | 489.3 | 3.30 | 5.7 | | 19.264 | 0.130 | 0.224 | |
| G 495 | 494.3 | 3.30 | 5.7 | | 19.461 | 0.130 | 0.224 | |
| G 500 | 499.3 | 3.30 | 5.7 | | 19.657 | 0.130 | 0.224 | |
| G 510 | 509.3 | 3.47 | 5.7 | | 20.051 | 0.137 | 0.224 | |
| G 520 | 519.3 | 3.53 | 5.7 | | 20.445 | 0.139 | 0.224 | |
| G 525 | 524.3 | 3.56 | 5.7 | | 20.642 | 0.140 | 0.224 | |
| G 530 | 529.3 | 3.59 | 5.7 | | 20.839 | 0.141 | 0.224 | |
| G 540 | 539.3 | 3.65 | 5.7 | | 21.232 | 0.144 | 0.224 | |
| G 550 | 549.3 | 3.72 | 5.7 | 21.626 | 0.146 | 0.224 | | |
| G 555 | 554.3 | 3.75 | 5.7 | 21.823 | 0.148 | 0.224 | | |
| G 560 | 559.3 | 3.78 | 5.7 | 22.020 | 0.149 | 0.224 | | |
| G 570 | 569.3 | 3.84 | 5.7 | 22.413 | 0.151 | 0.224 | | |
| G 580 | 579.3 | 3.90 | 5.7 | 22.807 | 0.154 | 0.224 | | |
| G 585 | 584.3 | 3.93 | 5.7 | 23.004 | 0.155 | 0.224 | | |
| G 590 | 589.3 | 3.97 | 5.7 | 23.201 | 0.156 | 0.224 | | |
| G 600 | 599.3 | 4.03 | 5.7 | 23.594 | 0.159 | 0.224 | | |
| G 605 | 604.3 | 4.06 | 5.7 | 23.791 | 0.160 | 0.224 | | |
| G 615 | 614.3 | 4.12 | 5.7 | 24.185 | 0.162 | 0.224 | | |
| G 620 | 619.3 | 4.15 | 5.7 | 24.382 | 0.163 | 0.224 | | |

O-Ring Size / JIS B2401-G

| Article No. | O-Ring Size / JIS B2401-G (All dimensions are in mm) | | | | Nominal Size (reference only) (All dimensions are in inches) | | | |
|-------------|---|------|-----------------------|------|---|-------|-------------------------|-------|
| | ID (DIN3771) | ± | C/S (mm) (DIN3771) | ± | ID (DIN3771) | ± | C/S (inch) (DIN3771) | ± |
| G 630 | 629.3 | 4.21 | 5.7 | 0.15 | 24.776 | 0.166 | 0.224 | 0.005 |
| G 860 | 859.3 | 5.63 | 5.7 | | 33.831 | 0.222 | 0.224 | |
| G 910 | 909.3 | 5.93 | 5.7 | | 35.799 | 0.233 | 0.224 | |



Quality Control



O-Ring Size / JIS B2401-S

| Article No. | O-Ring Size / JIS B2401-S (All dimensions are in mm) | | | | Nominal Size (reference only) (All dimensions are in inches) | | | |
|-------------|---|------|-----------------------|-------|---|-------|-------------------------|-------|
| | ID (DIN3771) | ± | C/S (mm) (DIN3771) | ± | ID (DIN3771) | ± | C/S (inch) (DIN3771) | ± |
| S 3 | 2.5 | 0.13 | 1.5 | 0.09 | 0.098 | 0.005 | 0.059 | 0.004 |
| S 4 | 3.5 | 0.14 | 1.5 | | 0.138 | 0.006 | 0.059 | |
| S 5 | 4.5 | 0.15 | 1.5 | | 0.177 | 0.006 | 0.059 | |
| S 6 | 5.5 | 0.15 | 1.5 | | 0.217 | 0.006 | 0.059 | |
| S 6 | 6.5 | 0.16 | 1.5 | | 0.256 | 0.006 | 0.059 | |
| S 8 | 7.5 | 0.16 | 1.5 | | 0.295 | 0.006 | 0.059 | |
| S 9 | 8.5 | 0.16 | 1.5 | | 0.335 | 0.006 | 0.059 | |
| S 10 | 9.5 | 0.17 | 1.5 | | 0.374 | 0.007 | 0.059 | |
| S 11.2 | 10.7 | 0.18 | 1.5 | | 0.421 | 0.007 | 0.059 | |
| S 12 | 11.5 | 0.19 | 1.5 | | 0.453 | 0.007 | 0.059 | |
| S 12.5 | 12.0 | 0.19 | 1.5 | | 0.472 | 0.007 | 0.059 | |
| S 14 | 13.5 | 0.19 | 1.5 | | 0.531 | 0.007 | 0.059 | |
| S 16 | 15.5 | 0.20 | 1.5 | | 0.610 | 0.008 | 0.059 | |
| S 18 | 17.5 | 0.21 | 1.5 | | 0.689 | 0.008 | 0.059 | |
| S 20 | 19.5 | 0.22 | 1.5 | | 0.768 | 0.009 | 0.059 | |
| S 22 | 21.5 | 0.24 | 1.5 | | 0.846 | 0.009 | 0.059 | |
| S 22.4 | 21.5 | 0.24 | 2.0 | | 0.846 | 0.009 | 0.079 | |
| S 24 | 23.5 | 0.24 | 2.0 | | 0.925 | 0.009 | 0.079 | |
| S 25 | 24.5 | 0.25 | 2.0 | | 0.965 | 0.010 | 0.079 | |
| S 26 | 25.5 | 0.26 | 2.0 | | 1.004 | 0.010 | 0.079 | |
| S 28 | 27.5 | 0.28 | 2.0 | | 1.083 | 0.011 | 0.079 | |
| S 29 | 28.5 | 0.29 | 2.0 | | 1.122 | 0.011 | 0.079 | |
| S 30 | 29.5 | 0.29 | 2.0 | | 1.161 | 0.011 | 0.079 | |
| S 44 | 43.5 | 0.41 | 2.0 | | 1.713 | 0.016 | 0.079 | |
| S 45 | 44.5 | 0.42 | 2.0 | | 1.752 | 0.017 | 0.079 | |
| S 46 | 45.5 | 0.43 | 2.0 | | 1.791 | 0.017 | 0.079 | |
| S 48 | 47.5 | 0.44 | 2.0 | | 1.870 | 0.017 | 0.079 | |
| S 50 | 49.5 | 0.46 | 2.0 | | 1.949 | 0.018 | 0.079 | |
| S 53 | 52.5 | 0.48 | 2.0 | | 2.067 | 0.019 | 0.079 | |
| S 55 | 54.5 | 0.50 | 2.0 | | 2.146 | 0.020 | 0.079 | |
| S 56 | 55.5 | 0.51 | 2.0 | | 2.185 | 0.020 | 0.079 | |
| S 60 | 59.5 | 0.54 | 2.0 | | 2.343 | 0.021 | 0.079 | |
| S 63 | 62.5 | 0.56 | 2.0 | | 2.461 | 0.022 | 0.079 | |
| S 65 | 64.5 | 0.58 | 2.0 | | 2.539 | 0.023 | 0.079 | |
| S 67 | 66.5 | 0.59 | 2.0 | | 2.618 | 0.023 | 0.079 | |
| S 70 | 69.5 | 0.63 | 2.0 | | 2.736 | 0.025 | 0.079 | |
| S 71 | 70.5 | 0.63 | 2.0 | | 2.776 | 0.025 | 0.079 | |
| S 75 | 74.5 | 0.66 | 2.0 | | 2.933 | 0.026 | 0.079 | |
| S 80 | 79.5 | 0.69 | 2.0 | | 3.130 | 0.027 | 0.079 | |
| S 85 | 84.5 | 0.73 | 2.0 | | 3.327 | 0.029 | 0.079 | |
| S 90 | 89.5 | 0.77 | 2.0 | 3.524 | 0.030 | 0.079 | | |
| S 95 | 94.5 | 0.81 | 2.0 | 3.720 | 0.032 | 0.079 | | |
| S 100 | 99.5 | 0.84 | 2.0 | 3.917 | 0.033 | 0.079 | | |
| S 105 | 104.5 | 0.89 | 2.0 | 4.114 | 0.035 | 0.079 | | |
| S 110 | 109.5 | 0.93 | 2.0 | 4.311 | 0.037 | 0.079 | | |
| S 112 | 111.5 | 0.93 | 2.0 | 4.390 | 0.037 | 0.079 | | |
| S 115 | 114.5 | 0.93 | 2.0 | 4.508 | 0.037 | 0.079 | | |
| S 120 | 119.5 | 1.00 | 2.0 | 4.705 | 0.039 | 0.079 | | |
| S 125 | 124.5 | 1.20 | 2.0 | 4.902 | 0.047 | 0.079 | | |
| S 130 | 129.5 | 1.20 | 2.0 | 5.098 | 0.047 | 0.079 | | |

O-Ring Size / JIS B2401-S

| Article No. | O-Ring Size / JIS B2401-S (All dimensions are in mm) | | | | Nominal Size (reference only) (All dimensions are in inches) | | | |
|-------------|---|-----|-----------------------|------|---|-------|-------------------------|-------|
| | ID (DIN3771) | ± | C/S (mm) (DIN3771) | ± | ID (DIN3771) | ± | C/S (inch) (DIN3771) | ± |
| S132 | 131.5 | 1.3 | 2.0 | 0.09 | 5.177 | 0.051 | 0.079 | 0.004 |
| S135 | 134.5 | 1.3 | 2.0 | | 5.295 | 0.051 | 0.079 | |
| S140 | 139.5 | 1.3 | 2.0 | | 5.492 | 0.051 | 0.079 | |
| S145 | 144.5 | 1.3 | 2.0 | | 5.689 | 0.051 | 0.079 | |
| S150 | 149.5 | 1.3 | 2.0 | | 5.886 | 0.051 | 0.079 | |



ISO9001:2015



O-Ring Size / JIS B2401-V

| Article No. | O-Ring Size / JIS B2401-V (All dimensions are in mm) | | | | Nominal Size (reference only) (All dimensions are in inches) | | | | |
|-------------|---|------|-----------------------|--------|---|-------|-------------------------|-------|-------|
| | ID (DIN3771) | ± | C/S (mm) (DIN3771) | ± | ID (DIN3771) | ± | C/S (inch) (DIN3771) | ± | |
| V 15 | 14.5 | 0.20 | 4.0 | 0.13 | 0.571 | 0.008 | 0.157 | 0.005 | |
| V 24 | 23.5 | 0.24 | 4.0 | | 0.925 | 0.009 | 0.157 | | |
| V 34 | 33.5 | 0.32 | 4.0 | | 1.319 | 0.013 | 0.157 | | |
| V 36 | 34.5 | 0.33 | 4.0 | | 1.358 | 0.013 | 0.157 | | |
| V 40 | 39.5 | 0.38 | 4.0 | | 1.555 | 0.015 | 0.157 | | |
| V 55 | 54.5 | 0.50 | 4.0 | | 2.146 | 0.020 | 0.157 | | |
| V 70 | 69.0 | 0.61 | 4.0 | | 2.717 | 0.024 | 0.157 | | |
| V 85 | 84.0 | 0.73 | 4.0 | | 3.307 | 0.029 | 0.157 | | |
| V 100 | 99.0 | 0.84 | 4.0 | | 3.898 | 0.033 | 0.157 | | |
| V 120 | 119.0 | 1.00 | 4.0 | | 4.685 | 0.039 | 0.157 | | |
| V 150 | 148.5 | 1.20 | 4.0 | | 5.846 | 0.047 | 0.157 | | |
| V 175 | 173.0 | 1.38 | 4.0 | | 6.811 | 0.054 | 0.157 | | |
| V 225 | 222.5 | 1.75 | 6.0 | | 8.760 | 0.069 | 0.236 | | 0.006 |
| V 275 | 272.0 | 2.02 | 6.0 | | 10.709 | 0.080 | 0.236 | | |
| V 325 | 321.5 | 2.37 | 6.0 | 12.657 | 0.093 | 0.236 | | | |
| V 380 | 376.5 | 2.76 | 6.0 | 14.823 | 0.109 | 0.236 | | | |
| V 430 | 425.5 | 3.07 | 6.0 | 16.752 | 0.121 | 0.236 | | | |
| V 480 | 475.0 | 3.30 | 10.0 | 18.701 | 0.130 | 0.394 | 0.009 | | |
| V 530 | 524.5 | 3.63 | 10.0 | 20.650 | 0.143 | 0.394 | | | |
| V 585 | 579.0 | 3.93 | 10.0 | 22.795 | 0.155 | 0.394 | | | |
| V 640 | 633.5 | 4.34 | 10.0 | 24.941 | 0.171 | 0.394 | | | |
| V 690 | 683.0 | 4.54 | 10.0 | 26.890 | 0.179 | 0.394 | | | |
| V 740 | 732.5 | 4.83 | 10.0 | 28.839 | 0.190 | 0.394 | | | |
| V 790 | 782.5 | 5.12 | 10.0 | 30.787 | 0.202 | 0.394 | | | |
| V 950 | 940.5 | 6.06 | 10.0 | 37.028 | 0.239 | 0.394 | | | |
| V 1055 | 1044.5 | 6.67 | 10.0 | 41.102 | 0.263 | 0.394 | | | |



AS-568

| Article No. | O-Ring Size / AS 568A (All dimensions are in mm) | | | | Nominal Size (reference only) (All dimensions are in inches) | | | |
|-------------|---|------|-----------------------|------|---|-------|-------------------------|-------|
| | ID (DIN3771) | ± | C/S (mm) (DIN3771) | ± | ID (DIN3771) | ± | C/S (inch) (DIN3771) | ± |
| AS001 | 0.74 | 0.13 | 1.02 | 0.09 | 0.03 | 0.005 | 0.04 | 0.003 |
| AS002 | 1.07 | 0.13 | 1.27 | | 0.04 | 0.005 | 0.05 | |
| AS003 | 1.42 | 0.13 | 1.52 | | 0.06 | 0.005 | 0.06 | |
| AS004 | 1.78 | 0.13 | 1.78 | | 0.07 | 0.005 | 0.07 | |
| AS005 | 2.57 | 0.14 | 1.78 | | 0.10 | 0.006 | 0.07 | |
| AS006 | 2.90 | 0.14 | 1.78 | | 0.11 | 0.006 | 0.07 | |
| AS007 | 3.68 | 0.14 | 1.78 | | 0.14 | 0.006 | 0.07 | |
| AS008 | 4.47 | 0.14 | 1.78 | | 0.18 | 0.006 | 0.07 | |
| AS009 | 5.28 | 0.15 | 1.78 | | 0.21 | 0.006 | 0.07 | |
| AS010 | 6.07 | 0.15 | 1.78 | | 0.24 | 0.006 | 0.07 | |
| AS011 | 7.65 | 0.16 | 1.78 | | 0.30 | 0.006 | 0.07 | |
| AS012 | 9.25 | 0.17 | 1.78 | | 0.36 | 0.007 | 0.07 | |
| AS013 | 10.82 | 0.18 | 1.78 | | 0.43 | 0.007 | 0.07 | |
| AS014 | 12.42 | 0.19 | 1.78 | | 0.49 | 0.007 | 0.07 | |
| AS015 | 14.00 | 0.19 | 1.78 | | 0.55 | 0.007 | 0.07 | |
| AS016 | 15.60 | 0.20 | 1.78 | | 0.61 | 0.008 | 0.07 | |
| AS017 | 17.17 | 0.21 | 1.78 | | 0.68 | 0.008 | 0.07 | |
| AS018 | 18.77 | 0.22 | 1.78 | | 0.74 | 0.009 | 0.07 | |
| AS019 | 20.35 | 0.22 | 1.78 | | 0.80 | 0.009 | 0.07 | |
| AS020 | 21.95 | 0.24 | 1.78 | | 0.86 | 0.009 | 0.07 | |
| AS021 | 23.52 | 0.24 | 1.78 | | 0.93 | 0.009 | 0.07 | |
| AS022 | 25.12 | 0.25 | 1.78 | | 0.99 | 0.010 | 0.07 | |
| AS023 | 26.70 | 0.28 | 1.78 | | 1.05 | 0.011 | 0.07 | |
| AS024 | 28.30 | 0.29 | 1.78 | | 1.11 | 0.011 | 0.07 | |
| AS025 | 29.87 | 0.29 | 1.78 | | 1.18 | 0.011 | 0.07 | |
| AS026 | 31.47 | 0.32 | 1.78 | | 1.24 | 0.013 | 0.07 | |
| AS027 | 33.05 | 0.32 | 1.78 | | 1.30 | 0.013 | 0.07 | |
| AS028 | 34.65 | 0.35 | 1.78 | | 1.36 | 0.014 | 0.07 | |
| AS029 | 37.82 | 0.37 | 1.78 | | 1.49 | 0.015 | 0.07 | |
| AS030 | 41.00 | 0.39 | 1.78 | | 1.61 | 0.015 | 0.07 | |
| AS031 | 44.17 | 0.43 | 1.78 | | 1.74 | 0.017 | 0.07 | |
| AS032 | 47.35 | 0.46 | 1.78 | | 1.86 | 0.018 | 0.07 | |
| AS033 | 50.52 | 0.51 | 1.78 | | 1.99 | 0.020 | 0.07 | |
| AS034 | 53.70 | 0.51 | 1.78 | | 2.11 | 0.020 | 0.07 | |
| AS035 | 56.87 | 0.54 | 1.78 | | 2.24 | 0.021 | 0.07 | |
| AS036 | 60.05 | 0.58 | 1.78 | | 2.36 | 0.023 | 0.07 | |
| AS037 | 63.22 | 0.63 | 1.78 | | 2.49 | 0.025 | 0.07 | |
| AS038 | 66.40 | 0.66 | 1.78 | | 2.61 | 0.026 | 0.07 | |
| AS039 | 69.57 | 0.66 | 1.78 | | 2.74 | 0.026 | 0.07 | |
| AS040 | 72.75 | 0.66 | 1.78 | | 2.86 | 0.026 | 0.07 | |
| AS041 | 75.92 | 0.66 | 1.78 | | 2.99 | 0.026 | 0.07 | |
| AS042 | 82.27 | 0.73 | 1.78 | | 3.24 | 0.029 | 0.07 | |
| AS043 | 88.62 | 0.77 | 1.78 | | 3.49 | 0.030 | 0.07 | |
| AS044 | 94.97 | 0.81 | 1.78 | | 3.74 | 0.032 | 0.07 | |
| AS045 | 101.32 | 0.95 | 1.78 | | 3.99 | 0.037 | 0.07 | |
| AS046 | 107.67 | 0.95 | 1.78 | | 4.24 | 0.037 | 0.07 | |
| AS047 | 114.02 | 0.95 | 1.78 | | 4.49 | 0.037 | 0.07 | |
| AS048 | 120.37 | 1.05 | 1.78 | | 4.74 | 0.041 | 0.07 | |
| AS049 | 126.72 | 1.05 | 1.78 | | 4.99 | 0.041 | 0.07 | |
| AS050 | 133.07 | 1.13 | 1.78 | | 5.24 | 0.044 | 0.07 | |
| AS051 | 139.42 | 1.13 | 1.78 | | 5.49 | 0.044 | 0.07 | |

AS-568

| Article No. | O-Ring Size / AS 568A (All dimensions are in mm) | | | | Nominal Size (reference only) (All dimensions are in inches) | | | |
|-------------|---|------|-----------------------|------|---|-------|-------------------------|-------|
| | ID (DIN3771) | ± | C/S (mm) (DIN3771) | ± | ID (DIN3771) | ± | C/S (inch) (DIN3771) | ± |
| AS052 | 145.77 | 1.20 | 1.78 | 0.09 | 5.74 | 0.047 | 0.07 | 0.003 |
| AS053 | 152.12 | 1.27 | 1.78 | | 5.99 | 0.050 | 0.07 | |
| AS054 | 158.47 | 1.27 | 1.78 | | 6.24 | 0.050 | 0.07 | |
| AS055 | 164.82 | 1.34 | 1.78 | | 6.49 | 0.053 | 0.07 | |
| AS102 | 1.25 | 0.13 | 2.62 | 0.09 | 0.05 | 0.005 | 0.10 | 0.004 |
| AS103 | 2.06 | 0.13 | 2.62 | | 0.08 | 0.005 | 0.10 | |
| AS104 | 2.85 | 0.14 | 2.62 | | 0.11 | 0.006 | 0.10 | |
| AS105 | 3.63 | 0.14 | 2.62 | | 0.14 | 0.006 | 0.10 | |
| AS106 | 4.42 | 0.14 | 2.62 | | 0.17 | 0.006 | 0.10 | |
| AS107 | 5.23 | 0.15 | 2.62 | | 0.21 | 0.006 | 0.10 | |
| AS108 | 6.02 | 0.15 | 2.62 | | 0.24 | 0.006 | 0.10 | |
| AS109 | 7.60 | 0.16 | 2.62 | | 0.30 | 0.006 | 0.10 | |
| AS110 | 9.20 | 0.17 | 2.62 | | 0.36 | 0.007 | 0.10 | |
| AS111 | 10.77 | 0.18 | 2.62 | | 0.42 | 0.007 | 0.10 | |
| AS112 | 12.37 | 0.19 | 2.62 | | 0.49 | 0.007 | 0.10 | |
| AS113 | 13.95 | 0.19 | 2.62 | | 0.55 | 0.007 | 0.10 | |
| AS114 | 15.55 | 0.20 | 2.62 | | 0.61 | 0.008 | 0.10 | |
| AS115 | 17.12 | 0.21 | 2.62 | | 0.67 | 0.008 | 0.10 | |
| AS116 | 18.72 | 0.22 | 2.62 | | 0.74 | 0.009 | 0.10 | |
| AS117 | 20.30 | 0.22 | 2.62 | | 0.80 | 0.009 | 0.10 | |
| AS118 | 21.90 | 0.24 | 2.62 | | 0.86 | 0.009 | 0.10 | |
| AS119 | 23.47 | 0.24 | 2.62 | | 0.92 | 0.009 | 0.10 | |
| AS120 | 25.07 | 0.26 | 2.62 | | 0.99 | 0.010 | 0.10 | |
| AS121 | 26.65 | 0.28 | 2.62 | | 1.05 | 0.011 | 0.10 | |
| AS122 | 28.25 | 0.29 | 2.62 | | 1.11 | 0.011 | 0.10 | |
| AS123 | 29.82 | 0.29 | 2.62 | | 1.17 | 0.011 | 0.10 | |
| AS124 | 31.42 | 0.32 | 2.62 | | 1.24 | 0.013 | 0.10 | |
| AS125 | 33.00 | 0.32 | 2.62 | | 1.30 | 0.013 | 0.10 | |
| AS126 | 34.6 | 0.35 | 2.62 | | 1.36 | 0.014 | 0.10 | |
| AS127 | 36.17 | 0.35 | 2.62 | | 1.42 | 0.014 | 0.10 | |
| AS128 | 37.77 | 0.37 | 2.62 | | 1.49 | 0.015 | 0.10 | |
| AS129 | 39.35 | 0.39 | 2.62 | | 1.55 | 0.015 | 0.10 | |
| AS130 | 40.95 | 0.39 | 2.62 | | 1.61 | 0.015 | 0.10 | |
| AS131 | 42.52 | 0.43 | 2.62 | | 1.67 | 0.017 | 0.10 | |
| AS132 | 44.12 | 0.43 | 2.62 | | 1.74 | 0.017 | 0.10 | |
| AS133 | 45.70 | 0.46 | 2.62 | | 1.80 | 0.018 | 0.10 | |
| AS134 | 47.30 | 0.46 | 2.62 | | 1.86 | 0.018 | 0.10 | |
| AS135 | 48.90 | 0.46 | 2.62 | | 1.93 | 0.018 | 0.10 | |
| AS136 | 50.47 | 0.51 | 2.62 | | 1.99 | 0.020 | 0.10 | |
| AS137 | 52.07 | 0.51 | 2.62 | | 2.05 | 0.020 | 0.10 | |
| AS138 | 53.64 | 0.51 | 2.62 | | 2.11 | 0.020 | 0.10 | |
| AS139 | 55.25 | 0.51 | 2.62 | | 2.18 | 0.020 | 0.10 | |
| AS140 | 56.82 | 0.54 | 2.62 | | 2.24 | 0.021 | 0.10 | |
| AS141 | 58.42 | 0.58 | 2.62 | | 2.30 | 0.023 | 0.10 | |
| AS142 | 59.99 | 0.58 | 2.62 | | 2.36 | 0.023 | 0.10 | |
| AS143 | 61.60 | 0.63 | 2.62 | | 2.43 | 0.025 | 0.10 | |
| AS144 | 63.17 | 0.63 | 2.62 | | 2.49 | 0.025 | 0.10 | |
| AS145 | 64.77 | 0.63 | 2.62 | | 2.55 | 0.025 | 0.10 | |
| AS146 | 66.34 | 0.63 | 2.62 | | 2.61 | 0.025 | 0.10 | |
| AS147 | 67.95 | 0.63 | 2.62 | | 2.68 | 0.025 | 0.10 | |
| AS148 | 69.52 | 0.66 | 2.62 | | 2.74 | 0.026 | 0.10 | |

AS-568

| Article No. | O-Ring Size / AS 568A (All dimensions are in mm) | | | | Nominal Size (reference only) (All dimensions are in inches) | | | |
|-------------|---|------|-----------------------|---|---|-------|-------------------------|---|
| | ID (DIN3771) | ± | C/S (mm) (DIN3771) | ± | ID (DIN3771) | ± | C/S (inch) (DIN3771) | ± |
| AS149 | 71.12 | 0.66 | 2.62 | | 2.80 | 0.026 | 0.10 | |
| AS150 | 72.70 | 0.66 | 2.62 | | 2.86 | 0.026 | 0.10 | |
| AS151 | 75.87 | 0.66 | 2.62 | | 2.99 | 0.026 | 0.10 | |
| AS152 | 82.22 | 0.69 | 2.62 | | 3.24 | 0.027 | 0.10 | |
| AS153 | 88.57 | 0.77 | 2.62 | | 3.49 | 0.030 | 0.10 | |
| AS154 | 94.92 | 0.81 | 2.62 | | 3.74 | 0.032 | 0.10 | |
| AS155 | 101.27 | 0.95 | 2.62 | | 3.99 | 0.037 | 0.10 | |
| AS156 | 107.62 | 0.95 | 2.62 | | 4.24 | 0.037 | 0.10 | |
| AS157 | 113.97 | 0.95 | 2.62 | | 4.49 | 0.037 | 0.10 | |
| AS158 | 120.32 | 1.05 | 2.62 | | 4.74 | 0.041 | 0.10 | |
| AS159 | 126.67 | 1.05 | 2.62 | | 4.99 | 0.041 | 0.10 | |
| AS160 | 133.02 | 1.13 | 2.62 | | 5.24 | 0.044 | 0.10 | |
| AS161 | 139.37 | 1.13 | 2.62 | | 5.49 | 0.044 | 0.10 | |
| AS162 | 145.72 | 1.20 | 2.62 | | 5.74 | 0.047 | 0.10 | |
| AS163 | 152.07 | 1.27 | 2.62 | | 5.99 | 0.050 | 0.10 | |
| AS164 | 158.42 | 1.27 | 2.62 | | 6.24 | 0.050 | 0.10 | |
| AS165 | 164.77 | 1.34 | 2.62 | | 6.49 | 0.053 | 0.10 | |
| AS166 | 171.12 | 1.41 | 2.62 | | 6.74 | 0.056 | 0.10 | |
| AS167 | 177.47 | 1.41 | 2.62 | | 6.99 | 0.056 | 0.10 | |
| AS168 | 183.82 | 1.48 | 2.62 | | 7.24 | 0.058 | 0.10 | |
| AS169 | 190.17 | 1.55 | 2.62 | | 7.49 | 0.061 | 0.10 | |
| AS170 | 196.52 | 1.55 | 2.62 | | 7.74 | 0.061 | 0.10 | |
| AS171 | 202.87 | 1.67 | 2.62 | | 7.99 | 0.066 | 0.10 | |
| AS172 | 209.22 | 1.67 | 2.62 | | 8.24 | 0.066 | 0.10 | |
| AS173 | 215.57 | 1.67 | 2.62 | | 8.49 | 0.066 | 0.10 | |
| AS174 | 221.92 | 1.75 | 2.62 | | 8.74 | 0.069 | 0.10 | |
| AS175 | 228.27 | 1.75 | 2.62 | | 8.99 | 0.069 | 0.10 | |
| AS176 | 234.62 | 1.88 | 2.62 | | 9.24 | 0.074 | 0.10 | |
| AS177 | 240.97 | 1.88 | 2.62 | | 9.49 | 0.074 | 0.10 | |
| AS178 | 247.32 | 1.88 | 2.62 | | 9.74 | 0.074 | 0.10 | |



AS-568

| Article No. | O-Ring Size / AS 568A (All dimensions are in mm) | | | | Nominal Size (reference only) (All dimensions are in inches) | | | |
|-------------|---|------|-----------------------|------|---|-------|-------------------------|-------|
| | ID (DIN3771) | ± | C/S (mm) (DIN3771) | ± | ID (DIN3771) | ± | C/S (inch) (DIN3771) | ± |
| AS201 | 4.34 | 0.14 | 3.53 | 0.09 | 0.17 | 0.006 | 0.14 | 0.004 |
| AS202 | 5.94 | 0.15 | 3.53 | | 0.23 | 0.006 | 0.14 | |
| AS203 | 7.52 | 0.16 | 3.53 | | 0.30 | 0.006 | 0.14 | |
| AS204 | 9.12 | 0.17 | 3.53 | | 0.36 | 0.007 | 0.14 | |
| AS205 | 10.69 | 0.18 | 3.53 | | 0.42 | 0.007 | 0.14 | |
| AS206 | 12.29 | 0.19 | 3.53 | | 0.48 | 0.007 | 0.14 | |
| AS207 | 13.87 | 0.19 | 3.53 | | 0.55 | 0.007 | 0.14 | |
| AS208 | 15.47 | 0.20 | 3.53 | | 0.61 | 0.008 | 0.14 | |
| AS209 | 17.04 | 0.21 | 3.53 | | 0.67 | 0.008 | 0.14 | |
| AS210 | 18.64 | 0.22 | 3.53 | | 0.73 | 0.009 | 0.14 | |
| AS211 | 20.22 | 0.22 | 3.53 | | 0.80 | 0.009 | 0.14 | |
| AS212 | 21.82 | 0.24 | 3.53 | | 0.86 | 0.009 | 0.14 | |
| AS213 | 23.39 | 0.24 | 3.53 | | 0.92 | 0.009 | 0.14 | |
| AS214 | 24.99 | 0.26 | 3.53 | | 0.98 | 0.010 | 0.14 | |
| AS215 | 26.57 | 0.28 | 3.53 | | 1.05 | 0.011 | 0.14 | |
| AS216 | 28.17 | 0.29 | 3.53 | | 1.11 | 0.011 | 0.14 | |
| AS217 | 29.74 | 0.29 | 3.53 | | 1.17 | 0.011 | 0.14 | |
| AS218 | 31.34 | 0.32 | 3.53 | | 1.23 | 0.013 | 0.14 | |
| AS219 | 32.92 | 0.32 | 3.53 | | 1.30 | 0.013 | 0.14 | |
| AS220 | 34.52 | 0.35 | 3.53 | | 1.36 | 0.014 | 0.14 | |
| AS221 | 36.09 | 0.35 | 3.53 | | 1.42 | 0.014 | 0.14 | |
| AS222 | 37.69 | 0.37 | 3.53 | | 1.48 | 0.015 | 0.14 | |
| AS223 | 40.87 | 0.39 | 3.53 | | 1.61 | 0.015 | 0.14 | |
| AS224 | 44.09 | 0.43 | 3.53 | | 1.74 | 0.017 | 0.14 | |
| AS225 | 47.22 | 0.46 | 3.53 | | 1.86 | 0.018 | 0.14 | |
| AS226 | 50.39 | 0.51 | 3.53 | | 1.98 | 0.020 | 0.14 | |
| AS227 | 53.57 | 0.51 | 3.53 | | 2.11 | 0.020 | 0.14 | |
| AS228 | 56.75 | 0.54 | 3.53 | | 2.23 | 0.021 | 0.14 | |
| AS229 | 59.92 | 0.58 | 3.53 | | 2.36 | 0.023 | 0.14 | |
| AS230 | 63.09 | 0.63 | 3.53 | | 2.48 | 0.025 | 0.14 | |
| AS231 | 66.27 | 0.63 | 3.53 | | 2.61 | 0.025 | 0.14 | |
| AS232 | 69.44 | 0.66 | 3.53 | | 2.73 | 0.026 | 0.14 | |
| AS233 | 72.62 | 0.66 | 3.53 | | 2.86 | 0.026 | 0.14 | |
| AS234 | 75.80 | 0.66 | 3.53 | | 2.98 | 0.026 | 0.14 | |
| AS235 | 78.97 | 0.69 | 3.53 | | 3.11 | 0.027 | 0.14 | |
| AS236 | 82.14 | 0.73 | 3.53 | | 3.23 | 0.029 | 0.14 | |
| AS237 | 85.32 | 0.77 | 3.53 | | 3.36 | 0.030 | 0.14 | |
| AS238 | 88.49 | 0.77 | 3.53 | | 3.48 | 0.030 | 0.14 | |
| AS239 | 91.67 | 0.81 | 3.53 | | 3.61 | 0.032 | 0.14 | |
| AS240 | 94.84 | 0.81 | 3.53 | | 3.73 | 0.032 | 0.14 | |
| AS241 | 98.02 | 0.84 | 3.53 | | 3.86 | 0.033 | 0.14 | |
| AS242 | 101.20 | 0.95 | 3.53 | | 3.98 | 0.037 | 0.14 | |
| AS243 | 104.37 | 0.95 | 3.53 | | 4.11 | 0.037 | 0.14 | |
| AS244 | 107.54 | 0.95 | 3.53 | | 4.23 | 0.037 | 0.14 | |
| AS245 | 110.72 | 0.95 | 3.53 | | 4.36 | 0.037 | 0.14 | |
| AS246 | 113.89 | 0.95 | 3.53 | | 4.48 | 0.037 | 0.14 | |
| AS247 | 117.07 | 1.05 | 3.53 | | 4.61 | 0.041 | 0.14 | |
| AS248 | 120.24 | 1.05 | 3.53 | | 4.73 | 0.041 | 0.14 | |
| AS249 | 123.42 | 1.05 | 3.53 | | 4.86 | 0.041 | 0.14 | |
| AS250 | 126.60 | 1.05 | 3.53 | | 4.98 | 0.041 | 0.14 | |
| AS251 | 129.77 | 1.13 | 3.53 | | 5.11 | 0.044 | 0.14 | |

AS-568

| Article No. | O-Ring Size / AS 568A (All dimensions are in mm) | | | | Nominal Size (reference only) (All dimensions are in inches) | | | |
|-------------|---|------|-----------------------|-------|---|-------|-------------------------|-------|
| | ID (DIN3771) | ± | C/S (mm) (DIN3771) | ± | ID (DIN3771) | ± | C/S (inch) (DIN3771) | ± |
| AS252 | 132.95 | 1.13 | 3.53 | 0.09 | 5.23 | 0.044 | 0.14 | 0.004 |
| AS253 | 136.12 | 1.13 | 3.53 | | 5.36 | 0.044 | 0.14 | |
| AS254 | 139.30 | 1.13 | 3.53 | | 5.48 | 0.044 | 0.14 | |
| AS255 | 142.47 | 1.20 | 3.53 | | 5.61 | 0.047 | 0.14 | |
| AS256 | 145.64 | 1.20 | 3.53 | | 5.73 | 0.047 | 0.14 | |
| AS257 | 148.82 | 1.20 | 3.53 | | 5.86 | 0.047 | 0.14 | |
| AS258 | 152.00 | 1.27 | 3.53 | | 5.98 | 0.050 | 0.14 | |
| AS259 | 158.34 | 1.27 | 3.53 | | 6.23 | 0.050 | 0.14 | |
| AS260 | 164.70 | 1.34 | 3.53 | | 6.48 | 0.053 | 0.14 | |
| AS261 | 171.04 | 1.14 | 3.53 | | 6.73 | 0.045 | 0.14 | |
| AS262 | 177.40 | 1.14 | 3.53 | | 6.98 | 0.045 | 0.14 | |
| AS263 | 183.74 | 1.48 | 3.53 | | 7.23 | 0.058 | 0.14 | |
| AS264 | 190.10 | 1.55 | 3.53 | | 7.48 | 0.061 | 0.14 | |
| AS265 | 196.44 | 1.55 | 3.53 | | 7.73 | 0.061 | 0.14 | |
| AS266 | 202.80 | 1.67 | 3.53 | | 7.98 | 0.066 | 0.14 | |
| AS267 | 209.14 | 1.67 | 3.53 | | 8.23 | 0.066 | 0.14 | |
| AS268 | 215.50 | 1.67 | 3.53 | | 8.48 | 0.066 | 0.14 | |
| AS269 | 221.84 | 1.75 | 3.53 | | 8.73 | 0.069 | 0.14 | |
| AS270 | 228.20 | 1.75 | 3.53 | | 8.98 | 0.069 | 0.14 | |
| AS271 | 234.55 | 1.88 | 3.53 | | 9.23 | 0.074 | 0.14 | |
| AS272 | 240.90 | 1.88 | 3.53 | | 9.48 | 0.074 | 0.14 | |
| AS273 | 247.25 | 1.88 | 3.53 | | 9.73 | 0.074 | 0.14 | |
| AS274 | 253.60 | 1.98 | 3.53 | | 9.98 | 0.078 | 0.14 | |
| AS275 | 266.29 | 2.08 | 3.53 | | 10.48 | 0.082 | 0.14 | |
| AS276 | 278.99 | 2.08 | 3.53 | | 10.98 | 0.082 | 0.14 | |
| AS277 | 291.69 | 2.28 | 3.53 | | 11.48 | 0.090 | 0.14 | |
| AS278 | 304.39 | 2.28 | 3.53 | | 11.98 | 0.090 | 0.14 | |
| AS279 | 329.79 | 2.46 | 3.53 | | 12.98 | 0.097 | 0.14 | |
| AS280 | 355.19 | 2.65 | 3.53 | | 13.98 | 0.104 | 0.14 | |
| AS281 | 380.59 | 2.78 | 3.53 | | 14.98 | 0.109 | 0.14 | |
| AS282 | 405.26 | 2.99 | 3.53 | | 15.96 | 0.118 | 0.14 | |
| AS283 | 430.66 | 3.18 | 3.53 | | 16.96 | 0.125 | 0.14 | |
| AS284 | 456.06 | 3.32 | 3.53 | 17.96 | 0.131 | 0.14 | | |



AS-568

| Article No. | O-Ring Size / AS 568A (All dimensions are in mm) | | | | Nominal Size (reference only) (All dimensions are in inches) | | | |
|-------------|---|------|-----------------------|------|---|-------|-------------------------|-------|
| | ID (DIN3771) | ± | C/S (mm) (DIN3771) | ± | ID (DIN3771) | ± | C/S (inch) (DIN3771) | ± |
| AS309 | 10.47 | 0.18 | 5.33 | 0.13 | 0.41 | 0.007 | 0.21 | 0.005 |
| AS310 | 12.07 | 0.19 | 5.33 | | 0.48 | 0.007 | 0.21 | |
| AS311 | 13.64 | 0.20 | 5.33 | | 0.54 | 0.008 | 0.21 | |
| AS312 | 15.24 | 0.20 | 5.33 | | 0.60 | 0.008 | 0.21 | |
| AS313 | 16.82 | 0.21 | 5.33 | | 0.66 | 0.008 | 0.21 | |
| AS314 | 18.42 | 0.22 | 5.33 | | 0.73 | 0.009 | 0.21 | |
| AS315 | 19.99 | 0.22 | 5.33 | | 0.79 | 0.009 | 0.21 | |
| AS316 | 21.59 | 0.24 | 5.33 | | 0.85 | 0.009 | 0.21 | |
| AS317 | 23.17 | 0.26 | 5.33 | | 0.91 | 0.010 | 0.21 | |
| AS318 | 24.77 | 0.26 | 5.33 | | 0.98 | 0.010 | 0.21 | |
| AS319 | 26.34 | 0.26 | 5.33 | | 1.04 | 0.010 | 0.21 | |
| AS320 | 27.94 | 0.28 | 5.33 | | 1.10 | 0.011 | 0.21 | |
| AS321 | 29.52 | 0.29 | 5.33 | | 1.16 | 0.011 | 0.21 | |
| AS322 | 31.12 | 0.32 | 5.33 | | 1.23 | 0.013 | 0.21 | |
| AS323 | 32.69 | 0.32 | 5.33 | | 1.29 | 0.013 | 0.21 | |
| AS324 | 34.29 | 0.35 | 5.33 | | 1.35 | 0.014 | 0.21 | |
| AS325 | 37.47 | 0.37 | 5.33 | | 1.48 | 0.015 | 0.21 | |
| AS326 | 40.64 | 0.39 | 5.33 | | 1.60 | 0.015 | 0.21 | |
| AS327 | 43.82 | 0.43 | 5.33 | | 1.73 | 0.017 | 0.21 | |
| AS328 | 46.99 | 0.46 | 5.33 | | 1.85 | 0.018 | 0.21 | |
| AS329 | 50.17 | 0.51 | 5.33 | | 1.98 | 0.020 | 0.21 | |
| AS330 | 53.34 | 0.51 | 5.33 | | 2.10 | 0.020 | 0.21 | |
| AS331 | 56.52 | 0.54 | 5.33 | | 2.23 | 0.021 | 0.21 | |
| AS332 | 59.69 | 0.58 | 5.33 | | 2.35 | 0.023 | 0.21 | |
| AS333 | 62.87 | 0.58 | 5.33 | | 2.48 | 0.023 | 0.21 | |
| AS334 | 66.64 | 0.63 | 5.33 | | 2.62 | 0.025 | 0.21 | |
| AS335 | 69.22 | 0.66 | 5.33 | | 2.73 | 0.026 | 0.21 | |
| AS336 | 72.39 | 0.66 | 5.33 | | 2.85 | 0.026 | 0.21 | |
| AS337 | 75.57 | 0.55 | 5.33 | | 2.98 | 0.022 | 0.21 | |
| AS338 | 78.74 | 0.69 | 5.33 | | 3.10 | 0.027 | 0.21 | |
| AS339 | 81.92 | 0.73 | 5.33 | | 3.23 | 0.029 | 0.21 | |
| AS340 | 85.09 | 0.77 | 5.33 | | 3.35 | 0.030 | 0.21 | |
| AS341 | 88.27 | 0.77 | 5.33 | | 3.48 | 0.030 | 0.21 | |
| AS342 | 91.44 | 0.81 | 5.33 | | 3.60 | 0.032 | 0.21 | |
| AS343 | 94.62 | 0.81 | 5.33 | | 3.73 | 0.032 | 0.21 | |
| AS344 | 97.79 | 0.84 | 5.33 | 3.85 | 0.033 | 0.21 | | |
| AS345 | 100.97 | 0.95 | 5.33 | 3.98 | 0.037 | 0.21 | | |
| AS346 | 104.14 | 0.95 | 5.33 | 4.10 | 0.037 | 0.21 | | |
| AS347 | 107.32 | 0.95 | 5.33 | 4.23 | 0.037 | 0.21 | | |
| AS348 | 110.49 | 0.95 | 5.33 | 4.35 | 0.037 | 0.21 | | |
| AS349 | 113.67 | 0.95 | 5.33 | 4.48 | 0.037 | 0.21 | | |
| AS350 | 116.84 | 1.05 | 5.33 | 4.60 | 0.041 | 0.21 | | |
| AS351 | 120.02 | 1.05 | 5.33 | 4.73 | 0.041 | 0.21 | | |
| AS352 | 123.19 | 1.05 | 5.33 | 4.85 | 0.041 | 0.21 | | |
| AS353 | 126.37 | 1.05 | 5.33 | 4.98 | 0.041 | 0.21 | | |
| AS354 | 129.54 | 1.13 | 5.33 | 5.10 | 0.044 | 0.21 | | |
| AS355 | 132.72 | 1.13 | 5.33 | 5.23 | 0.044 | 0.21 | | |
| AS356 | 135.89 | 1.13 | 5.33 | 5.35 | 0.044 | 0.21 | | |
| AS357 | 139.07 | 1.13 | 5.33 | 5.48 | 0.044 | 0.21 | | |
| AS358 | 142.24 | 1.20 | 5.33 | 5.60 | 0.047 | 0.21 | | |
| AS359 | 145.42 | 1.20 | 5.33 | 5.73 | 0.047 | 0.21 | | |

AS-568

| Article No. | O-Ring Size / AS 568A (All dimensions are in mm) | | | | Nominal Size (reference only) (All dimensions are in inches) | | | |
|-------------|---|------|-----------------------|-------|---|-------|-------------------------|-------|
| | ID (DIN3771) | ± | C/S (mm) (DIN3771) | ± | ID (DIN3771) | ± | C/S (inch) (DIN3771) | ± |
| AS360 | 148.59 | 1.20 | 5.33 | 0.13 | 5.85 | 0.047 | 0.21 | 0.005 |
| AS361 | 151.77 | 1.27 | 5.33 | | 5.98 | 0.050 | 0.21 | |
| AS362 | 158.12 | 1.27 | 5.33 | | 6.23 | 0.050 | 0.21 | |
| AS363 | 164.47 | 1.34 | 5.33 | | 6.48 | 0.053 | 0.21 | |
| AS364 | 170.82 | 1.41 | 5.33 | | 6.73 | 0.056 | 0.21 | |
| AS365 | 177.17 | 1.41 | 5.33 | | 6.98 | 0.056 | 0.21 | |
| AS366 | 183.52 | 1.48 | 5.33 | | 7.23 | 0.058 | 0.21 | |
| AS367 | 189.87 | 1.48 | 5.33 | | 7.48 | 0.058 | 0.21 | |
| AS368 | 196.22 | 1.55 | 5.33 | | 7.73 | 0.061 | 0.21 | |
| AS369 | 202.57 | 1.67 | 5.33 | | 7.98 | 0.066 | 0.21 | |
| AS370 | 208.92 | 1.67 | 5.33 | | 8.23 | 0.066 | 0.21 | |
| AS371 | 215.27 | 1.67 | 5.33 | | 8.48 | 0.066 | 0.21 | |
| AS372 | 221.62 | 1.75 | 5.33 | | 8.73 | 0.069 | 0.21 | |
| AS373 | 227.97 | 1.75 | 5.33 | | 8.98 | 0.069 | 0.21 | |
| AS374 | 234.32 | 1.88 | 5.33 | | 9.23 | 0.074 | 0.21 | |
| AS375 | 240.67 | 1.88 | 5.33 | | 9.48 | 0.074 | 0.21 | |
| AS376 | 247.02 | 1.88 | 5.33 | | 9.73 | 0.074 | 0.21 | |
| AS377 | 253.37 | 1.98 | 5.33 | | 9.98 | 0.078 | 0.21 | |
| AS378 | 266.07 | 2.08 | 5.33 | | 10.48 | 0.082 | 0.21 | |
| AS379 | 278.77 | 2.08 | 5.33 | | 10.98 | 0.082 | 0.21 | |
| AS380 | 291.47 | 2.14 | 5.33 | | 11.48 | 0.084 | 0.21 | |
| AS381 | 304.17 | 2.28 | 5.33 | | 11.98 | 0.090 | 0.21 | |
| AS382 | 329.57 | 2.46 | 5.33 | | 12.98 | 0.097 | 0.21 | |
| AS383 | 354.97 | 2.65 | 5.33 | | 13.98 | 0.104 | 0.21 | |
| AS384 | 380.37 | 2.78 | 5.33 | | 14.98 | 0.109 | 0.21 | |
| AS385 | 405.26 | 2.99 | 5.33 | | 15.96 | 0.118 | 0.21 | |
| AS386 | 430.66 | 3.18 | 5.33 | | 16.96 | 0.125 | 0.21 | |
| AS387 | 456.06 | 3.32 | 5.33 | | 17.96 | 0.131 | 0.21 | |
| AS388 | 481.38 | 3.45 | 5.33 | | 18.95 | 0.136 | 0.21 | |
| AS389 | 506.78 | 3.63 | 5.33 | | 19.95 | 0.143 | 0.21 | |
| AS390 | 532.18 | 3.63 | 5.33 | 20.95 | 0.143 | 0.21 | | |
| AS391 | 557.58 | 3.82 | 5.33 | 21.95 | 0.150 | 0.21 | | |
| AS392 | 582.68 | 3.90 | 5.33 | 22.94 | 0.154 | 0.21 | | |
| AS393 | 608.08 | 4.10 | 5.33 | 23.94 | 0.161 | 0.21 | | |
| AS394 | 633.48 | 4.20 | 5.33 | 24.94 | 0.165 | 0.21 | | |
| AS395 | 658.88 | 4.30 | 5.33 | 25.94 | 0.169 | 0.21 | | |



AS-568

| Article No. | O-Ring Size / AS 568A (All dimensions are in mm) | | | | Nominal Size (reference only) (All dimensions are in inches) | | | |
|-------------|---|------|-----------------------|-------|---|-------|-------------------------|-------|
| | ID (DIN3771) | ± | C/S (mm) (DIN3771) | ± | ID (DIN3771) | ± | C/S (inch) (DIN3771) | ± |
| AS425 | 113.67 | 0.95 | 6.99 | 0.15 | 4.48 | 0.037 | 0.28 | 0.006 |
| AS426 | 116.84 | 1.05 | 6.99 | | 4.60 | 0.041 | 0.28 | |
| AS427 | 120.02 | 1.05 | 6.99 | | 4.73 | 0.041 | 0.28 | |
| AS428 | 123.19 | 1.05 | 6.99 | | 4.85 | 0.041 | 0.28 | |
| AS429 | 126.37 | 1.05 | 6.99 | | 4.98 | 0.041 | 0.28 | |
| AS430 | 129.54 | 1.13 | 6.99 | | 5.10 | 0.044 | 0.28 | |
| AS431 | 132.72 | 1.13 | 6.99 | | 5.23 | 0.044 | 0.28 | |
| AS432 | 135.89 | 1.13 | 6.99 | | 5.35 | 0.044 | 0.28 | |
| AS433 | 139.07 | 1.13 | 6.99 | | 5.48 | 0.044 | 0.28 | |
| AS434 | 142.24 | 1.20 | 6.99 | | 5.60 | 0.047 | 0.28 | |
| AS435 | 145.42 | 1.20 | 6.99 | | 5.73 | 0.047 | 0.28 | |
| AS436 | 148.59 | 1.20 | 6.99 | | 5.85 | 0.047 | 0.28 | |
| AS437 | 151.77 | 1.27 | 6.99 | | 5.98 | 0.050 | 0.28 | |
| AS438 | 158.12 | 1.27 | 6.99 | | 6.23 | 0.050 | 0.28 | |
| AS439 | 164.47 | 1.34 | 6.99 | | 6.48 | 0.053 | 0.28 | |
| AS440 | 170.82 | 1.41 | 6.99 | | 6.73 | 0.056 | 0.28 | |
| AS441 | 177.17 | 1.41 | 6.99 | | 6.98 | 0.056 | 0.28 | |
| AS442 | 183.52 | 1.48 | 6.99 | | 7.23 | 0.058 | 0.28 | |
| AS443 | 189.87 | 1.48 | 6.99 | | 7.48 | 0.058 | 0.28 | |
| AS444 | 196.22 | 1.55 | 6.99 | | 7.73 | 0.061 | 0.28 | |
| AS445 | 202.57 | 1.67 | 6.99 | | 7.98 | 0.066 | 0.28 | |
| AS446 | 215.27 | 1.67 | 6.99 | | 8.48 | 0.066 | 0.28 | |
| AS447 | 227.97 | 1.75 | 6.99 | | 8.98 | 0.069 | 0.28 | |
| AS448 | 240.67 | 1.88 | 6.99 | | 9.48 | 0.074 | 0.28 | |
| AS449 | 253.37 | 1.98 | 6.99 | | 9.98 | 0.078 | 0.28 | |
| AS450 | 266.07 | 2.08 | 6.99 | | 10.48 | 0.082 | 0.28 | |
| AS451 | 278.77 | 2.08 | 6.99 | | 10.98 | 0.082 | 0.28 | |
| AS452 | 291.47 | 2.14 | 6.99 | | 11.48 | 0.084 | 0.28 | |
| AS453 | 304.17 | 2.28 | 6.99 | | 11.98 | 0.090 | 0.28 | |
| AS454 | 316.87 | 2.46 | 6.99 | | 12.48 | 0.097 | 0.28 | |
| AS455 | 329.57 | 2.46 | 6.99 | | 12.98 | 0.097 | 0.28 | |
| AS456 | 342.27 | 2.65 | 6.99 | | 13.48 | 0.104 | 0.28 | |
| AS457 | 354.97 | 2.65 | 6.99 | | 13.98 | 0.104 | 0.28 | |
| AS458 | 367.67 | 2.65 | 6.99 | | 14.48 | 0.104 | 0.28 | |
| AS459 | 380.37 | 2.78 | 6.99 | | 14.98 | 0.109 | 0.28 | |
| AS460 | 393.07 | 2.84 | 6.99 | | 15.48 | 0.112 | 0.28 | |
| AS461 | 405.26 | 2.99 | 6.99 | | 15.96 | 0.118 | 0.28 | |
| AS462 | 417.96 | 2.99 | 6.99 | | 16.46 | 0.118 | 0.28 | |
| AS463 | 430.66 | 3.18 | 6.99 | | 16.96 | 0.125 | 0.28 | |
| AS464 | 443.36 | 3.18 | 6.99 | | 17.46 | 0.125 | 0.28 | |
| AS465 | 456.06 | 3.32 | 6.99 | | 17.96 | 0.131 | 0.28 | |
| AS466 | 468.76 | 3.32 | 6.99 | | 18.46 | 0.131 | 0.28 | |
| AS467 | 481.46 | 3.32 | 6.99 | | 18.96 | 0.131 | 0.28 | |
| AS468 | 494.16 | 3.45 | 6.99 | | 19.46 | 0.136 | 0.28 | |
| AS469 | 506.86 | 3.36 | 6.99 | | 19.96 | 0.132 | 0.28 | |
| AS470 | 532.26 | 3.36 | 6.99 | 20.96 | 0.132 | 0.28 | | |
| AS471 | 557.66 | 3.82 | 6.99 | 21.96 | 0.150 | 0.28 | | |
| AS472 | 582.68 | 3.93 | 6.99 | 22.94 | 0.155 | 0.28 | | |
| AS473 | 608.08 | 4.10 | 6.99 | 23.94 | 0.161 | 0.28 | | |
| AS474 | 633.48 | 4.20 | 6.99 | 24.94 | 0.165 | 0.28 | | |
| AS475 | 658.88 | 4.30 | 6.99 | 25.94 | 0.169 | 0.28 | | |

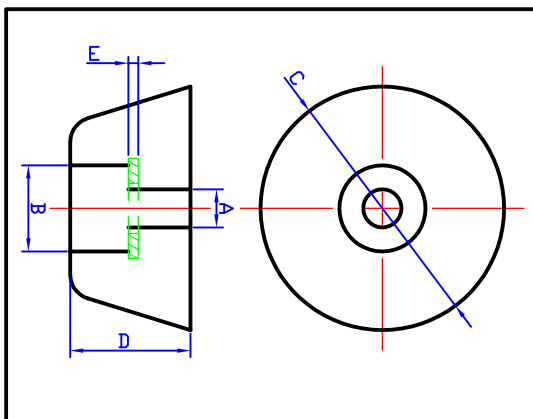
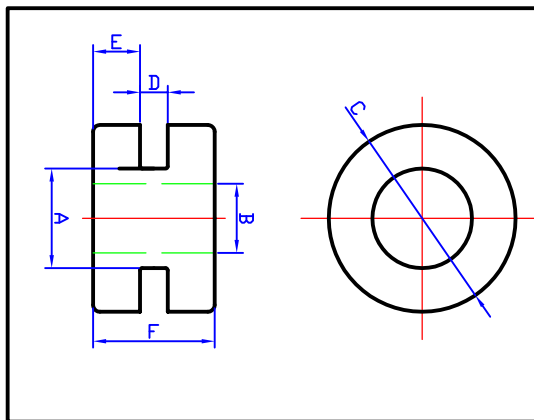
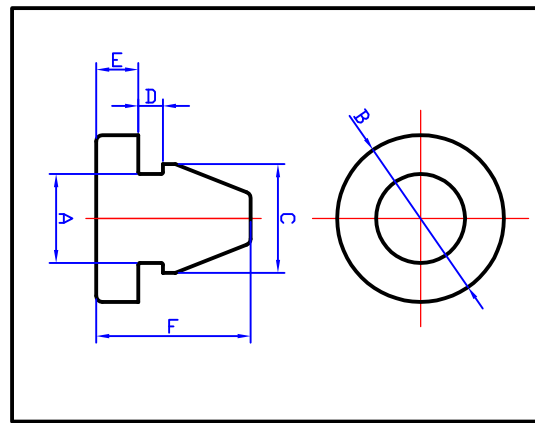
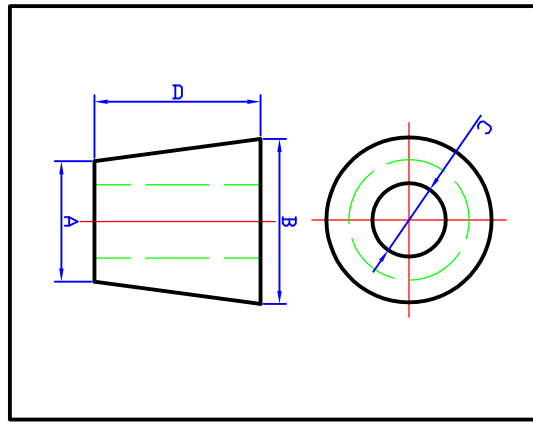
AS-568

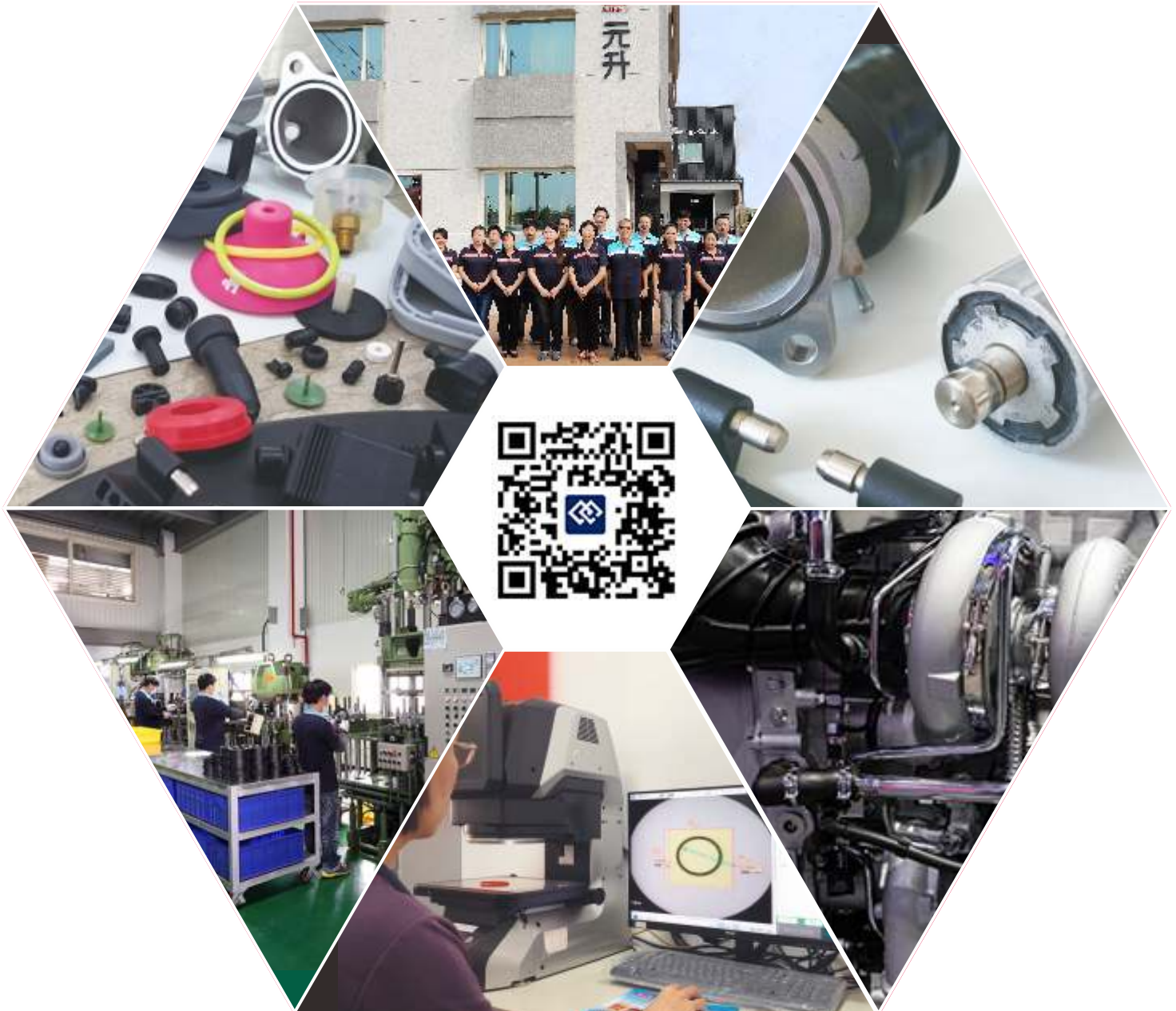
| Article No. | O-Ring Size / AS 568A (All dimensions are in mm) | | | | Nominal Size (reference only) (All dimensions are in inches) | | | |
|-------------|---|------|-----------------------|------|---|-------|-------------------------|-------|
| | ID (DIN3771) | ± | C/S (mm) (DIN3771) | ± | ID (DIN3771) | ± | C/S (inch) (DIN3771) | ± |
| AS901 | 4.70 | 0.13 | 1.42 | 0.09 | 0.19 | 0.005 | 0.06 | 0.004 |
| AS902 | 6.07 | 0.13 | 1.63 | | 0.24 | 0.005 | 0.06 | |
| AS903 | 7.65 | 0.13 | 1.63 | | 0.30 | 0.005 | 0.06 | |
| AS904 | 8.92 | 0.13 | 1.83 | | 0.35 | 0.005 | 0.07 | |
| AS905 | 10.52 | 0.13 | 1.83 | | 0.41 | 0.005 | 0.07 | |
| AS906 | 11.89 | 0.13 | 1.98 | | 0.47 | 0.005 | 0.08 | |
| AS907 | 13.46 | 0.18 | 2.08 | | 0.53 | 0.007 | 0.08 | |
| AS908 | 16.36 | 0.23 | 2.21 | | 0.64 | 0.009 | 0.09 | |
| AS909 | 17.93 | 0.23 | 2.46 | | 0.71 | 0.009 | 0.10 | |
| AS910 | 19.18 | 0.23 | 2.46 | | 0.76 | 0.009 | 0.10 | |
| AS911 | 21.92 | 0.23 | 2.95 | | 0.86 | 0.009 | 0.12 | |
| AS912 | 23.47 | 0.23 | 2.95 | | 0.92 | 0.009 | 0.12 | |
| AS913 | 25.04 | 0.25 | 2.95 | | 0.99 | 0.010 | 0.12 | |
| AS914 | 26.59 | 0.25 | 2.95 | | 1.05 | 0.010 | 0.12 | |
| AS916 | 29.74 | 0.25 | 2.95 | | 1.17 | 0.010 | 0.12 | |
| AS918 | 34.42 | 0.30 | 2.95 | | 1.36 | 0.012 | 0.12 | |
| AS920 | 37.47 | 0.36 | 3.00 | | 1.48 | 0.014 | 0.12 | |
| AS924 | 43.69 | 0.36 | 3.00 | | 1.72 | 0.014 | 0.12 | |
| AS928 | 53.09 | 0.46 | 3.00 | | 2.09 | 0.018 | 0.12 | |
| AS932 | 59.36 | 0.46 | 3.00 | | 2.34 | 0.018 | 0.12 | |



Rubber Grommet (Rubber Foot Mat)

Customized





No.27, Ln. 85, Sec. 1, Jiatou Rd., Longjing Dist.,
Taichung City 434, Taiwan
Tel:886-4-26366059 Fax:886-4-26366038
E-mail:tccr@chien-chie.com.tw
www.chien-chie.com